



Your PDF Guides

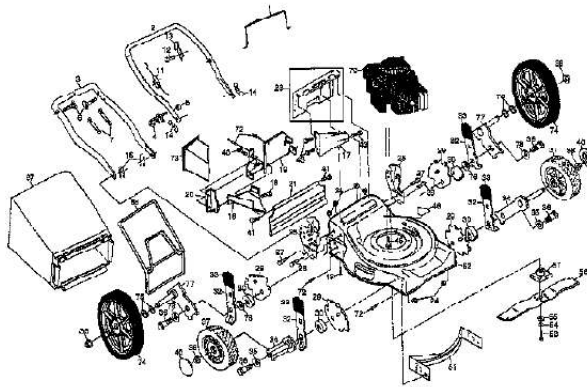
You can read the recommendations in the user guide, the technical guide or the installation guide for AYP HWRB204A. You'll find the answers to all your questions on the AYP HWRB204A in the user manual (information, specifications, safety advice, size, accessories, etc.). Detailed instructions for use are in the User's Guide.

User manual AYP HWRB204A
User guide AYP HWRB204A
Operating instructions AYP HWRB204A
Instructions for use AYP HWRB204A
Instruction manual AYP HWRB204A

HWRB204A (1999)
ROTARY MOWER

Page 1 of 3

ROTARY MOWER MODEL NO. HWRB204A



[You're reading an excerpt. Click here to read official AYP HWRB204A user guide](http://yourpdfguides.com/dref/439147)
<http://yourpdfguides.com/dref/439147>

