



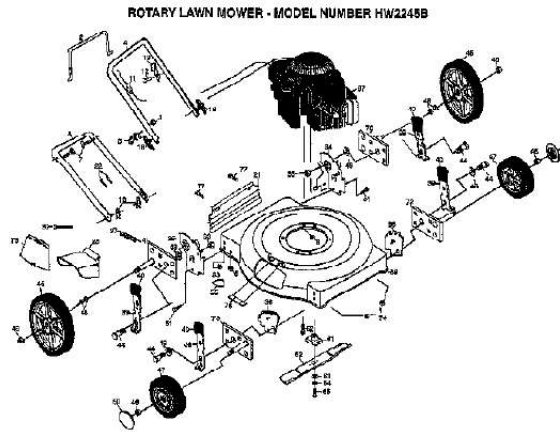
Your PDF Guides

You can read the recommendations in the user guide, the technical guide or the installation guide for AYP HW2245B. You'll find the answers to all your questions on the AYP HW2245B in the user manual (information, specifications, safety advice, size, accessories, etc.). Detailed instructions for use are in the User's Guide.

User manual AYP HW2245B
User guide AYP HW2245B
Operating instructions AYP HW2245B
Instructions for use AYP HW2245B
Instruction manual AYP HW2245B

HW2245B (1999)
ROTARY LAWN MOWER

Page 1 of 2



[You're reading an excerpt. Click here to read official AYP HW2245B user guide](http://yourpdfguides.com/dref/439118)
<http://yourpdfguides.com/dref/439118>

Manual abstract:

*HANDLE.LM "CABLE-MRZ, SNAP" TAPPING SCREW "BRKT,UPSTOP PM" KNOB HANDLE HAIRPIN COTTER "SKIRT.REAR.22SD/ECON.21""
SUB= 7192J GUARD.DISCHARGE HINGE.SPRING HINGE.ROD.22SD SUB= 73690500 BRKT.ASM.
WHEEL.SUPT.LT BKRT.ASM.HDLE/ADJ.
LT WHEEL.BRKT.ADJ. @@.*



[You're reading an excerpt. Click here to read official AYP HW2245B user guide](#)

<http://yourpdfguides.com/dref/439118>