



Your PDF Guides

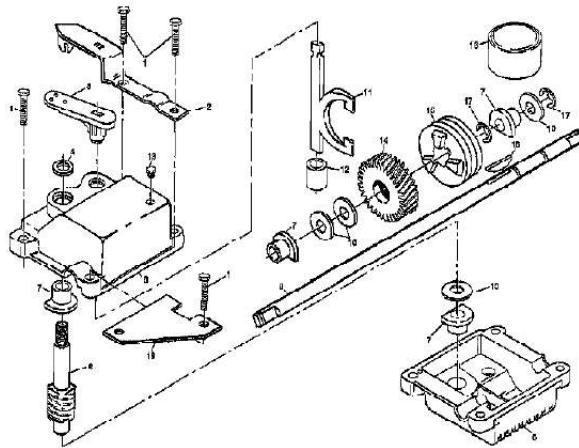
You can read the recommendations in the user guide, the technical guide or the installation guide for AYP HSDSP226A. You'll find the answers to all your questions on the AYP HSDSP226A in the user manual (information, specifications, safety advice, size, accessories, etc.). Detailed instructions for use are in the User's Guide.

User manual AYP HSDSP226A
User guide AYP HSDSP226A
Operating instructions AYP HSDSP226A
Instructions for use AYP HSDSP226A
Instruction manual AYP HSDSP226A

HSDSP226A (1999)
GEAR CASE

Page 1 of 7

POWER PROPELLED LAWN MOWER -- MODEL NO. HSDSP226A
GEAR CASE ASSEMBLY PART NUMBER 702610



[You're reading an excerpt. Click here to read official AYP HSDSP226A user guide](http://yourpdfguides.com/dref/439114)
<http://yourpdfguides.com/dref/439114>

Manual abstract:

1/4-20 SUB= 137055X004 SHIFTER SEAL KIT GEARCASE HALV BEARING SHAFT.WORM SHAFT.DRIVE.SD THRUST WASHER CLUTCH YOKE
BUSHING.GEAR BOX PLUG PM GEAR.HELICAL CLUTCH JAW SUB= 6066J RING T HI PRO KEY SPRING BRKT Page 2 of 7 HSDSP226A (1999)
ROTARY LAWN MOWER Page 3 of 7 HSDSP226A (1999) ROTARY LAWN MOWER Ref# 1 2 3 4 5 6 7 8 9 10 11 12 13 14 15 16 17 18 20 21 22 23 24 25 26
27 28 29 30 31 32 33 34 35 36 37 38 39 40 41 42 43 44 45 46 47 48 49 51 54 55 56 57 58 59 61 62 62 Part Number 151721X479 132001 63601 131959
145794 66426 144929 700417 150117 130861 165542 51793 136376 140539 750097 151665X479 151667X479 149741 134612 751592 700325X007 146630
87584X004 700331X004 87877 750913X004 61651 142748 158447 83923 88348 87999X479 88001X479 74100412 150406 851201X004 63601 165549
164309 150119X004 150118 851084 850263 851074 141114 851514 147286 147775 152186 145282 87677 59708 84596 213146 83816 141846
PARTSIMAGE SUPPLIER Qty Description LOWER HANDLE ROPE GUIDE SUB= 73800400 BOLT.HANDLE.LM BAIL.CNTRL.DLX.
SUB= 7192J SCREW.HXHD.WASH. "CONTROL, THROTTLE" MULCHER PLUG "CABLE,ENG ZONE CO" HANDLE.UPPER.
DLX. HAIRPIN COTTER KNOB HANDLE SKIRT.REAR.22SD. @@@@HUB CAP NUT.
HXFLG.LOCK. WHEEL 8X2 RAD GRN E-RING.7/16.RE. @@COVER DRIVE BLK LOCKNUT PULLEY.DRIVEN WHEEL.ADJ.ASM.LH.

SUB= 48366 SPRING.TENSION SPRING WHEEL.ADJ.ASM.RH. DRV SHAFT TUBE PM Page 7 of 7.



[You're reading an excerpt. Click here to read official AYP
HSDSP226A user guide
<http://yourpdfguides.com/dref/439114>](#)