



Your PDF Guides

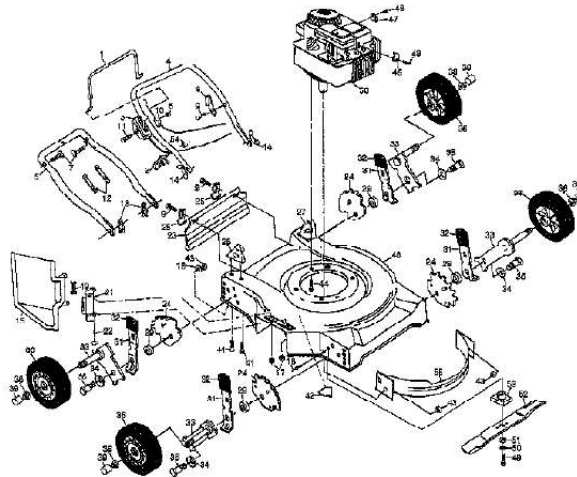
You can read the recommendations in the user guide, the technical guide or the installation guide for AYP HD4QN20RE. You'll find the answers to all your questions on the AYP HD4QN20RE in the user manual (information, specifications, safety advice, size, accessories, etc.). Detailed instructions for use are in the User's Guide.

User manual AYP HD4QN20RE
User guide AYP HD4QN20RE
Operating instructions AYP HD4QN20RE
Instructions for use AYP HD4QN20RE
Instruction manual AYP HD4QN20RE

A111H (1998)
ROTARY LAWN MOWER

Page 1 of 2

ROTARY LAWN MOWER - MODEL NUMBER A111H



[You're reading an excerpt. Click here to read official AYP HD4QN20RE user guide](http://yourpdfguides.com/dref/439022)
<http://yourpdfguides.com/dref/439022>

