



Your PDF Guides

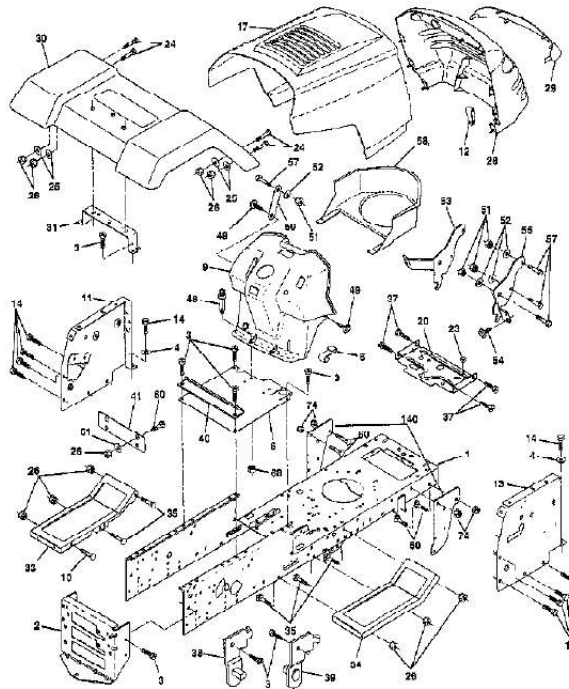
You can read the recommendations in the user guide, the technical guide or the installation guide for AYP HD3Q4E6B. You'll find the answers to all your questions on the AYP HD3Q4E6B in the user manual (information, specifications, safety advice, size, accessories, etc.). Detailed instructions for use are in the User's Guide.

User manual AYP HD3Q4E6B
User guide AYP HD3Q4E6B
Operating instructions AYP HD3Q4E6B
Instructions for use AYP HD3Q4E6B
Instruction manual AYP HD3Q4E6B

HD3Q4E6B (1996)
CHASSIS AND ENCLOSURES

Page 1 of 26

TRACTOR -- MODEL NUMBER HD3Q4E6B CHASSIS AND ENCLOSURES



[You're reading an excerpt. Click here to read official AYP HD3Q4E6B user guide](http://yourpdfguides.com/dref/439006)
<http://yourpdfguides.com/dref/439006>

Manual abstract:

PART.18.5HP DECAL.INST.WHL.ST DECAL SEAT DECAL.SCH.PRIM.42 DECAL.FENDER.
HDEP DECAL.CLD.START.H DECAL.SADDLE.

INST DECAL.SCH.PRIM.42 DECAL HANDLE LIFT DECAL DRAWBAR LH FOOTREST PAD MANUAL.O.

HD3Q4E6B MANUAL.O.HD3Q4E6B SNOW BLADE SNOW THROWER TIRE CHAINS GRASS CATCHER WHEEL WTS. Page 4 of 26 HD3Q4E6B (1996)
DRIVE Page 5 of 26 HD3Q4E6B (1996) DRIVE Ref# 1 2 3 8 10 15 16 18 19 21 22 24 25 26 27 28 29 30 31 32 34 35 36 37 38 39 40 41 42 44 45 46 47 48 49
50 51 52 53 55 56 57 58 59 61 62 63 64 65 66 69 70 71 72 73 74 75 76 Part Number 150071 142431 143995 141003 76020416 74490544 73800500
74780616 73800600 106933X 145627 73350600 106888X 19131316 76020412 145204 71673 130807 127275X 74760512 151128 120183X 19211616
1572H 123674X 74760644 4470J 153399 19131312 105706X 110812X 12000039 127783 123789X 123205X 74760624 73680600 73680500 105710X
105709X 74760620 140294 140470 140312 17490612 8883R 140186 71170764 10040700 153400 142432 134683 140158 19132012 140157 121199X
121749X 12000001 Qty Description TRANSAXLE.3100650 SPRING RET BRAKE PULLEY.TRANSAXLE ROD SHIFT FEND LT PIN COTTER 1/8
BOLT.HX.FLG.5/16 NUT BOLT NUT KNOB T (1/2-HOLE) ROD.BRAKE.

HYDRO. NUT SPRING ROD LT WASHER COTTER PIN ROD.BRAKE.PARK.LT PLUNGER CAP T TRANSAXLE MTG BKT "KEEPER,BELT LH T" BOLT
SHAFT FOOT PEDAL NYLON BEARING WASHER LT SUB= 2882J PULLEY.IDLER.FLAT BOLT SPACER T KEEPER BELT WASHER "LY, BEARING"
WASHER LT KLIP RING SUB= 139245 ARM IDLER RETAIN BELT SUB= 74930624 SUB= 73690600 SUB= 73690500 "LINK, CLUTCH T" "SPRING,
RETURN LT" SUB= 74780620 "BELT.GD DRV 82"" KEEPER BELT LH KEEPER BELT CNTSP SCREW PEDAL COVER T PULLEY.ENGINE BOLT
LOCKWASHER SUB= 129921 SCREW HEXWSH H-L KEEPER BELT ENG STRAP TORQ LH HYD WASHER STRAP TORQ RH HYD SPACER SPLIT
WASHER E-RING LT Page 6 of 26 HD3Q4E6B (1996) DRIVE Ref# 77 78 81 82 83 84 86 87 88 89 91 92 93 94 95 96 97 98 100 102 103 104 105 106 116
Part Number 123583X 121748X 140154 123782X 19171216 140548 71208 19212016 12000008 151147 74780536 74780524 142564 140462 144643 4497H
140469 73510600 19111216 141322 73940800 140156 71070516 74780520 72110610 Qty Description SQUARE KEY WASHER SUB= 156046
"SPRING,TORSION" WASHER ROD.TIE.

BALL.4.75 BUSHING WASHER D KLIP RING SUB= 164893 NLA HEX BOLT "LINE FUEL HYD 4"" "FAN 7"" HYDRO" SUB= 918144643 RETAINER M
BOLT KEEPER RH NUT WASHER M WASHER BELLEVILLE SUB= 73360800 ARM CONTROL HYDRO SCREW CAP 5/16-18 BOLT BOLT RDHD 3/8-16
Page 7 of 26 HD3Q4E6B (1996) ELECTRICAL Page 8 of 26 HD3Q4E6B (1996) ELECTRICAL Ref# 1 2 3 4 6 7 8 9 15 16 19 20 21 22 24 25 26 28 29 30 31
32 33 36 38 39 40 41 42 43 44 45 52 70 Part Number 146139 74760412 19091016 10040400 73220400 109238X 144940 109596X 147688 153664 10090400
73350400 136850 4152J 4206J 146147 108824X 4207J 121305X 140301 124211X 141226 122147X 17021008 140336 109553X 151212 71110408 131563
145673 73640400 121433X 141940 140712 Qty Description SUB= 123899X BOLT LT WASHER LOCKWASHER SUB= 50675 TUBE T SUB= 156417
HOSE CLAMP T FASTNER.SNAP-IN SWITCH INTERLOCK SUB= 10040400 NUT "HARNESS,LIGHT SOC" HEADLAMP BULB CABLE-BATTERY T
CABLE.BTRY.

6GA.RD FUSE HYT CABLE T SWITCH SEAT SWITCH IGN 4POS NUT IGNITION COVER KEY SWITCH KEY SCREW BRACKET SWITCH IN SWITCH
INTERLOCKT HARNESS.IGNITION BOLT HXHD FIN SUB= 154336 SUB= 146154 NUT HXKEP 1/4X20 SUB= 122822X PROTECTION LOOP
HARNESS.ENG.LT.

Page 9 of 26 HD3Q4E6B (1996) ENGINE Page 10 of 26 HD3Q4E6B (1996) ENGINE Ref# 1 2 3 4 5 6 7 8 10 11 12 13 14 15 16 17 23 25 26 27 29 31 32 33
35 37 38 40 44 46 81 Part Number 141295 17720410 149723 144069 144068 138129 150176 145552 100040400 74780412 272250 13280336 13200300
11050600 17490624 150554 145996 73920600 152927 137180 140280 140527 123487X 17490512 137040 124028X 17490412 19091416 128861 Qty
Description CONTROL THRT 35.5 SCREW LT REFER TO IMAGE MUFFLER.TW.LOTONE EXHAUST.B&S.18.LH EXHAUST.B&S.18.RH CLAMP.

TUBE.DBL.EN BOLT.5/16-18.UNC SHIELD.HEAT. @@@@ @@@@ LOCKNUT WASHER BRACKET.EXTRD.GWL WASHER.FELT.

MANDREL ASM SUB= 164962 Page 16 of 26 HD3Q4E6B (1996) SCHEMATIC Page 17 of 26 HD3Q4E6B (1996) SCHEMATIC Ref# 1 2 3 4 6 7 8 9 15 16
19 20 21 22 24 25 26 28 29 30 31 32 33 36 38 39 40 41 42 43 44 45 52 70 Part Number 146139 74760412 19091016 10040400 73220400 109238X 144940
109596X 147688 153664 10090400 73350400 136850 4152J 4206J 146147 108824X 4207J 121305X 140301 124211X 141226 122147X 17021008 140336
109553X 151212 71110408 131563 145673 73640400 121433X 141940 140712 Qty Description SUB= 123899X BOLT LT WASHER LOCKWASHER SUB=
50675 TUBE T SUB= 156417 HOSE CLAMP T FASTNER.SNAP-IN SWITCH INTERLOCK SUB= 10040400 NUT "HARNESS,LIGHT SOC" HEADLAMP
BULB CABLE-BATTERY T CABLE.BTRY.6GA.RD FUSE HYT CABLE T SWITCH SEAT SWITCH IGN 4POS NUT IGNITION COVER KEY SWITCH KEY
SCREW BRACKET SWITCH IN SWITCH INTERLOCKT HARNESS.

IGNITION BOLT HXHD FIN SUB= 154336 SUB= 146154 NUT HXKEP 1/4X20 SUB= 122822X PROTECTION LOOP HARNESS.ENG.LT. Page 18 of 26
HD3Q4E6B (1996) SEAT Page 19 of 26 HD3Q4E6B (1996) SEAT Ref# 1 2 3 4 5 6 7 8 9 10 11 12 13 14 15 16 17 18 21 22 24 25 Part Number 140118
140551 74760616 19131610 145006 73800600 124181X 17490616 19131614 140552 120068X 121246X 121248X 72050411 121249X 123740X 123976X
124238X 153236 73800500 19171912 127018X Qty Description SEAT.2500/1516.

BK BRACKET PVT SEAT BOLT WASHER PM CLIP.PUSH-IN.HING NUT SPRING COMPRESSIO SCREW GTV WASHER SUB= 155925 "KNOB 1/2"" YT"
BRKT SWITCH BUSHING SUB= 872050411 SPACER SPLIT SPRING COMPRESSED SUB= 73900400 CAP SPRING "BOLT,SHOULDER" NUT WASHER
"BOLT,SHOULDER" Page 20 of 26 HD3Q4E6B (1996) STEERING Page 21 of 26 HD3Q4E6B (1996) STEERING Ref# 1 2 3 4 5 6 7 8 9 10 11 12 13 14 15
16 17 18 19 20 21 22 23 24 25 26 27 28 29 30 32 36 37 38 39 41 42 43 44 46 47 50 51 54 55 57 62 63 Part Number 140044 142033 135227 135228 6266H
121748X 19272016 12000029 3366R 130468 10040600 73610600 110438X 74011056 73901000 132624 140176 57079 124035X 126684X 10040400
71100410 127501 109816X 124036X 126847X 136874 19131416 17490612 76020412 130465 102803X 152927 140045 19133808 100711L 140216 121749X
153721 121232X 6855M 17490412 73800500 74780520 140285 140172 149686 74780616 Qty Description WHEEL STR AYP BLK AXLE ASM FRONT
SPINDLE LH SPINDLE RH WASHER .T WASHER WASHER RING COL. SRTG. BEAR. @@@RING.RET.2003052. BEARING.

(50552)42X68X16 CRADLE- 2003023. BEARING.THU.50551 SWASHPLT.2003087. BLOCK.CLYN.70079. ARM.TRUN.

2003005. SEAL.9008000-0126 GUIDE.2000015. SHAFT.

MOTOR.50449 BEARING.THU.50552 BLOCK.CYLIN.

70082 SEAL.LIP.45074 ACTUATOR.2003555 KIT.CEN.SEC.70250 SEAL.LIP.45075 RING R.

[You're reading an excerpt. Click here to read official AYP
HD3Q4E6B user guide](#)



<http://yourpdfguides.com/dref/439006>