



Your PDF Guides

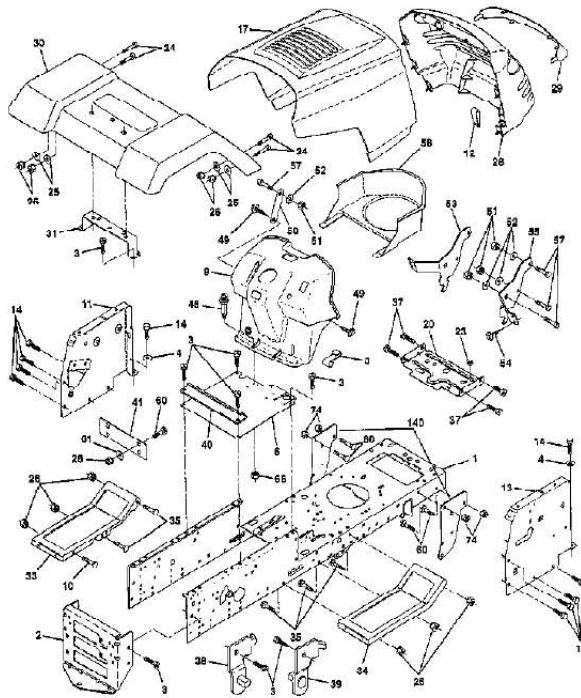
You can read the recommendations in the user guide, the technical guide or the installation guide for AYP HD3K4E9A. You'll find the answers to all your questions on the AYP HD3K4E9A in the user manual (information, specifications, safety advice, size, accessories, etc.). Detailed instructions for use are in the User's Guide.

User manual AYP HD3K4E9A
User guide AYP HD3K4E9A
Operating instructions AYP HD3K4E9A
Instructions for use AYP HD3K4E9A
Instruction manual AYP HD3K4E9A

HD3K4E9A (1996)
CHASSIS AND ENCLOSURES

Page 1 of 27

TRACTOR -- MODEL NUMBER HD3K4E9A CHASSIS AND ENCLOSURES



[You're reading an excerpt. Click here to read official AYP HD3K4E9A user guide](http://yourpdfguides.com/dref/439002)
<http://yourpdfguides.com/dref/439002>

Manual abstract:

TINNERMAN PANEL.DASH.RH SCREW LT SUB= 159639X550 PLATE.MTG.BTRY.TK SUB= 532124028 BOLT WASHER NUT SUB= 157373 LENS
GRILLE FENDER ASM LT W/S BRACKET SUPT FEND FOOTREST PNT LH FOOTREST.RH.LT/GT BOLT SCREW LT BRACKET ASM LH BRACKET
ASM RH SPACER FENDER LT PLATE EXTEN FEND RIVET.PUSH.PLATE SCREW HEX CRT BRACE SUPT DASH NUT WASHER BRACKET.
GRILLE.LH SUB= 91817030814 BRACKET.GRILLE.RH SUB= 74780414 AIR DUCT BOLT WASHER NUT SUB= 73690600 SUB= 158739 PLUG DOME
Page 2 of 27 HD3K4E9A (1996) DECALS Page 3 of 27 HD3K4E9A (1996) DECALS Ref # 1 2 3 4 6 7 8 9 10 11 12 15 16 17 18 19 Part Number 148914
148801 152525 152526 138804 148800 141898 141897 148686 148687 148819 137259 148803 146451 152445 152505 138311 133671 152336 152337
LBD48 LSB42 LC05 C42 LC06 Qty Description DECAL.SADDLE.
INST DECAL.INST.WHL.ST DECAL.HD.
RH.14.5 DECAL.HD.LH.14.5 DECAL.FEND.QUICKS DECAL.FENDER.

HDEP DECAL CAUT FEND DECAL CLUT/BRAKE DECAL.SCH.DRV.42 DECAL.SCH.PRIM.42 DECAL.PNL.SD.HDPO "DECAL, WARNING" DECAL.
DECK.MULCH. DECAL.BTRY.DANGER DECAL.
SEAT.ACC. DECAL.PARTS.B&S.
DECAL HANDLE LIFT FOOTREST PAD MANUAL.O.HD3K4E9A MANUAL.O.HD3K4E9A SNOW BLADE SNOW THROWER WHEEL WTS.
@@@@@@@@@SRTG. BEAR. @@@@TUBE Page 27 of 27.



[You're reading an excerpt. Click here to read official AYP
HD3K4E9A user guide
http://yourpdfguides.com/dref/439002](http://yourpdfguides.com/dref/439002)