



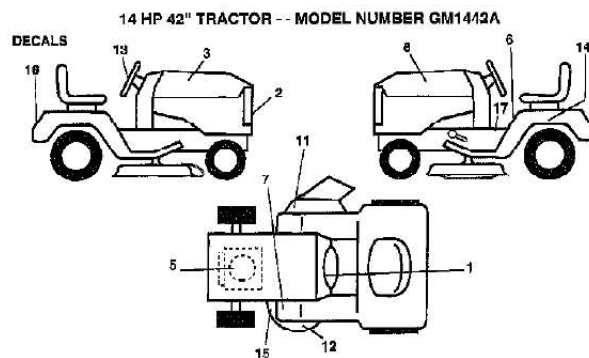
Your PDF Guides

You can read the recommendations in the user guide, the technical guide or the installation guide for AYP GM1442A. You'll find the answers to all your questions on the AYP GM1442A in the user manual (information, specifications, safety advice, size, accessories, etc.). Detailed instructions for use are in the User's Guide.

User manual AYP GM1442A
User guide AYP GM1442A
Operating instructions AYP GM1442A
Instructions for use AYP GM1442A
Instruction manual AYP GM1442A

GM1442A (1994)
14 HP 42" DECALS

Page 1 of 27



[You're reading an excerpt. Click here to read official AYP GM1442A user guide](http://yourpdfguides.com/dref/438912)
<http://yourpdfguides.com/dref/438912>

