



Your PDF Guides

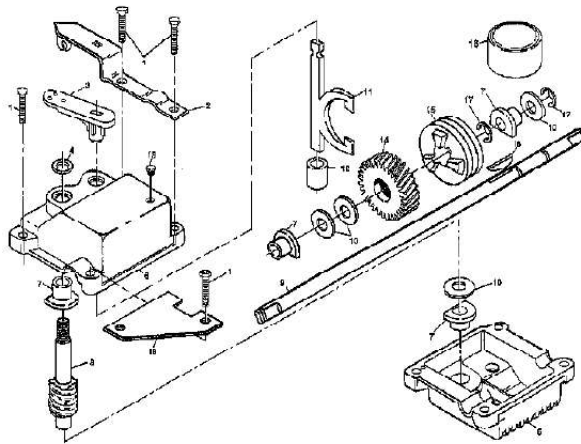
You can read the recommendations in the user guide, the technical guide or the installation guide for AYP CWSDSP225A. You'll find the answers to all your questions on the AYP CWSDSP225A in the user manual (information, specifications, safety advice, size, accessories, etc.). Detailed instructions for use are in the User's Guide.

User manual AYP CWSDSP225A
User guide AYP CWSDSP225A
Operating instructions AYP CWSDSP225A
Instructions for use AYP CWSDSP225A
Instruction manual AYP CWSDSP225A

CWSDSP225A (1997)
GEAR CASE ASSEMBLY

Page 1 of 14

POWER PROPELLED LAWN MOWER -- MODEL NO. CWSDSP225A
GEAR CASE ASSEMBLY PART NUMBER 702810



[You're reading an excerpt. Click here to read official AYP CWSDSP225A user guide](http://yourpdfguides.com/dref/438804)
<http://yourpdfguides.com/dref/438804>

Manual abstract:

RETAINER. HUB CAP NUT.HXFLG.LOCK. BUSHING.HEX WHEEL 8X2 RAD GRN E-RING.7/16.RE. PINION.GEAR DUST SHROUD PM WASHER
FLUT KNOB PM SUB= 73800400 SUB= 7192J SCREW.L

SLOT.TORXT SCREW.SLOT.TORTX. COVER DRIVE BLK LOCKNUT PULLEY.

DRIVEN WHEEL ADJ ASSY LH SUB= 48366 SPRING.TENSION SPRING WHEEL ADJ ASSY RH DRV SHAFT TUBE PM DECAL.DRIVE COVER Page 4
of 14 CWSDSP225A (1997) ROTARY LAWN MOWER Page 5 of 14 CWSDSP225A (1997) ROTARY LAWN MOWER Ref# 1 2 3 4 5 Part Number 157553
750909 17411312 86353 111546X Qty Description BRKT.BATTERY SUB= 48374 SCREW.HX.

13X.750 CONNECTOR PM KEY PM Page 6 of 14 CWSDSP225A (1997) ROTARY LAWN MOWER Page 7 of 14 CWSDSP225A (1997) ROTARY LAWN
MOWER Ref# 1 2 3 4 5 6 7 8 9 10 11 12 13 14 15 16 17 18 20 21 22 23 24 25 26 27 28 29 30 31 32 33 34 35 36 37 38 39 40 41 42 43 44 45 46 47 48 49 51
54 55 56 57 58 59 61 62 65 Part Number 157081X479 132001 63601 131959 146905 151517 144929 700644 150117 130861 145645X479 51793 136376
140539 750097 151665X479 151667X479 149741 134612 751592 750085X007 146630 87584X004 700331X004 87877 750913X004 65151 142748 158447
83923 88348 87999X479 88001X479 74100412 150406 851201X004 63601 132352X479 153210 150119X004 150118 851084 850263 851074 141114
851514 147286 147775 152186 145282 87677 59708 84596 213146 83816 141846 74760612 Qty Description HANDLE LOWER ROPE GUIDE SUB=
73800400 BOLT.HANDLE.LM BAIL.CONTROL SUB= 7192J SCREW.HXHD.WASH. CONTROL.THL.49.

35 MULCHER PLUG "CABLE,ENG ZONE CO" SUB= 165452X479 HAIRPIN COTTER KNOB HANDLE SKIRT.REAR.22SD.

@@@@@WHEEL.ADJ.ASM.RH. DUST SHROUD PM WASHER FLUT BUSHING.HEX WHEEL.8X2.

IGD. NUT.HXFLG.LOCK. RETAINER CLIP PM HUB CAP E-RING.

7/16.RE. @@@@BRACKET.HDL.RH.

SCREW.HXWS.5/16 BRACKET.HINGE.WF BRACKET.ADJ.9POS. SPACER.HEIGHT.ADJ SPRING SELECTOR KNOB PM ARM.

AXLE.ASM.BZP. "WASHER, BELLEVL." BOLT SHLD 3/8-16 WHEEL.8X2.RAD.YEL HEX FLANGE LOCKNT HUB CAP SUB= 19131216 SCREW SCREW
DECAL DANGER E/S ENGINE SPACER KIT.BAF.FRT.

20RD "KIT-HOUSING,20""CC" SCREW LOCKWASHER "WASHER,HARDEN" BLADE.20.MULCH.AY ADAPTOR.BLADE.

LM GRASSBAG.250B1. FRAME.CATCHER.2.

5 REFER TO IMAGE BLIND RIVET REAR BAFFLE DISCHARGE GUARD SCREW.HXTAP.10-24 GUIDE.CABLE.FWBD Page 13 of 14 CWSDSP225A
(1997) ROTARY MOWER Ref# 79 80 81 82 84 Part Number 88652 122147X 111190X 83816 145658 145661 160811 148048 Qty Description HINGE

SCREW KEY CABLE CLAMP SCREW PM REFER TO IMAGE MANUAL.GEN.SP.E. .



[You're reading an excerpt. Click here to read official AYP](#)

[CWSDSP225A user guide](#)

<http://yourpdfguides.com/dref/438804>