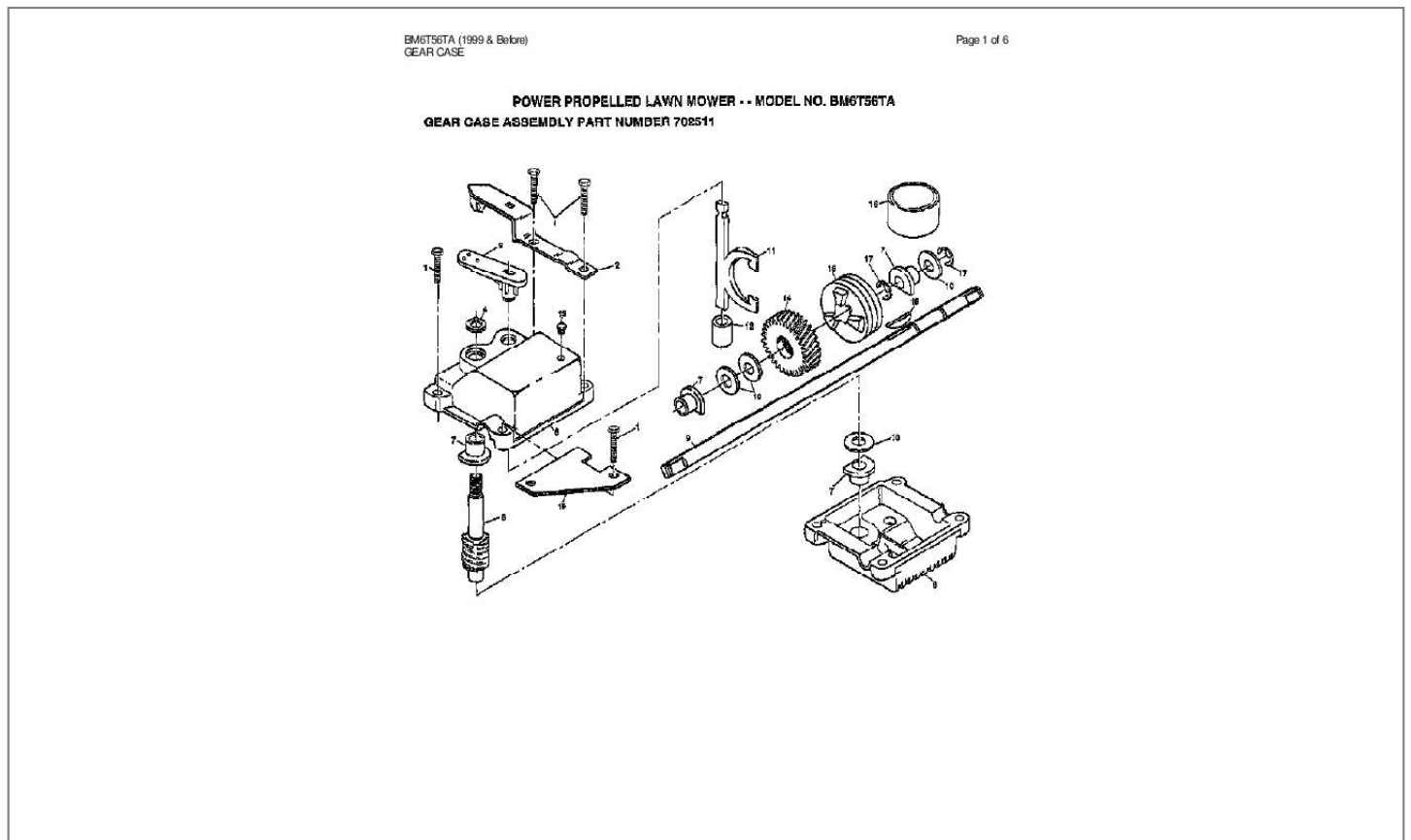




Your PDF Guides

You can read the recommendations in the user guide, the technical guide or the installation guide for AYP BM6T56TA. You'll find the answers to all your questions on the AYP BM6T56TA in the user manual (information, specifications, safety advice, size, accessories, etc.). Detailed instructions for use are in the User's Guide.

User manual AYP BM6T56TA
User guide AYP BM6T56TA
Operating instructions AYP BM6T56TA
Instructions for use AYP BM6T56TA
Instruction manual AYP BM6T56TA



[You're reading an excerpt. Click here to read official AYP BM6T56TA user guide](http://yourpdfguides.com/dref/438356)
<http://yourpdfguides.com/dref/438356>

Manual abstract:

*HXFLG.LOCK. WHEEL.8X2.LP.PR E-RING.7/16.RE. PINION.GEAR DUST SHROUD PM KNOB PM WHEEL ADJ WHEEL ADJ SUB= 73800400
SPRING.*

*TENSION SPRING WASHER FLUT SUB= 48367 PULLEY.DRIVEN LOCKNUT "COVER.DRIVE 22""RD" SCREWL.SLOT.TORXT SCREW.
SLOT.TORTX. FRAME.CATCHER.2.*

5 GRASSBAG.250B1.BL SUB= 157769 DRV SHAFT TUBE PM BUSHING.HEX Page 4 of 6 BM6T56TA (1999 & Before) ROTARY MOWER/ACCESSORIES

Page 5 of 6 BM6T56TA (1999 & Before) ROTARY MOWER/ACCESSORIES Ref # 1 2 3 4 5 7 8 9 12 16 17 18 19 20 21 23 24 25 26 28 29 30 31 32 33 34 35

37 38 39 40 41 42 43 44 45 46 47 50 51 54 55 57 59 60 61 62 63 64 65 65 68 70 Part Number 128415 145793 165451X479 63601 130861 158059 144929

136376 151023 146694 145494 150050 751592 85543 87677 133040X479 146143X479 700365X479 156380X479 54583 133190X479 132001 66426

157081X479 131959 51793 77400 83923 146247 142748 62335 145935X004 700331X004 87877 133759X007 146630 133757X007 150078 151588X479

151589X479 851201X004 150406 165546 851084 850263 851074 141114 851514 162495 PARTSIMAGE SUPPLIER 88652 134612 167543 167544 MA36

*MK22FRD Qty Description BLIND RIVET BAIL.CNTRL.STD.BL HANDLE.UPPER.4POS SUB= 73800400 "CABLE,ENG ZONE CO" CONTROL
THROTTLE SCREW.HXHD.*

WASH. @@@@BOLT SHLD 3/8-16 "WASHER, BELLEVIL." ARM.AXLE.ASM.BZP. @@BRACKET.HDL.LH. @@.



[You're reading an excerpt. Click here to read official AYP](#)

[BM6T56TA user guide](#)

<http://yourpdfguides.com/dref/438356>