



Your PDF Guides

You can read the recommendations in the user guide, the technical guide or the installation guide for AYP BM125M92EJA. You'll find the answers to all your questions on the AYP BM125M92EJA in the user manual (information, specifications, safety advice, size, accessories, etc.). Detailed instructions for use are in the User's Guide.

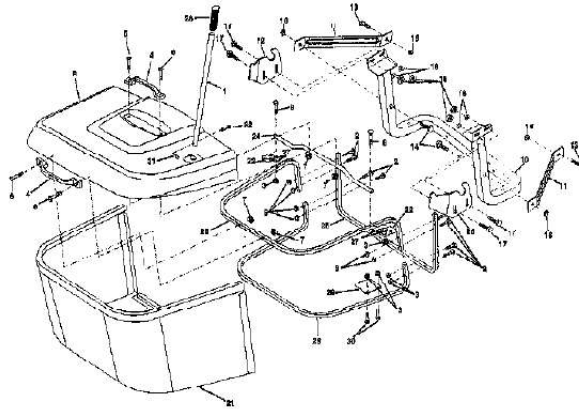
User manual AYP BM125M92EJA
User guide AYP BM125M92EJA
Operating instructions AYP BM125M92EJA
Instructions for use AYP BM125M92EJA
Instruction manual AYP BM125M92EJA

BM125M92EJA (1999 & Before)
BAGGER

Page 1 of 26

TRACTOR- -MODEL NO. BM125M92EJA

BAGGER



[You're reading an excerpt. Click here to read official AYP BM125M92EJA user guide](http://yourpdfguides.com/dref/438337)
<http://yourpdfguides.com/dref/438337>

Manual abstract:

HEAD" SCREW NUT LOCK COVER.BAGGER.PLASTIC.CRD BOLT CARRIAGE SUPT.ASM.WLDMNT.BAG.CRD BRKT.SUPT.UPPER.
BAG.CRD BRKT.PIVOT.BAG.LH.

CRD BOLT BOLT.HEX.3/8-16X2-1/2 SUB= 83923 BOLT WASHER NUT "BRKT.PIVOT.BAG,RH.
CRD" BAG.ASM.CRD BRKT.SIDE.BAG.CRD TUBE.UPPER.BAG.CRD TUBE.PIVOT.

BAG.CRD TUBE.FT.BAG.CRD TUBE.LOWER.BAG.CRD. GROMMET.EXTRUDED GRIP.
HANDLE.BLACK PLATE.STOP.BAG.HDLE.

CRD BOLT.CARRIAGE RETAINER M RIVET.DRILL.1.75 Page 2 of 26 BM125M92EJA (1999 & Before) CHASSIS AND ENCLOSURES Page 3 of 26
BM125M92EJA (1999 & Before) CHASSIS AND ENCLOSURES Ref # 1 2 3 4 5 6 8 9 10 11 12 13 14 15 16 17 18 20 24 25 26 28 29 30 31 33 34 35 37 38 39
51 52 53 54 55 57 58 102 125 140 145 148 162 163 164 165 167 168 169 170 171 172 173 174 175 176 177 Part Number 165480 165606 17490612
19131216 155272 155923 126471X 147631X011 72140608 155927 145660 155934X010 17490608 74180512 73510500 159639X428 126938X 156437
74780616 19131312 73800600 157373 140273X599 165714X424 165156 145244X424 145243X424 72110606 17490508 139886 139887 73800400
19091416 144697 161464 144696 74780412 150127 2751R 74180412 158418 156524 17490620 165672 165673 165605 165742X428 165779 72050412
123976X 165607 74520640 19132016 73510600 165939 166212 128600 132796 Qty Description CHASSIS.

STAMPING DRAWBAR.CRD SCREW WASHER BUMPER-HOOD/DASH SADDLE "CLIP,INSULATOR" DASH.SILKSCREEN SUB= 72110608 "PANEL-
DASH,LH" CLIP.TINNERMAN SUB= 169117X010 SCREW LT SCREW NUT "HOOD W/TRIM,MS428" SUB= 532126938 "PLATE-MTG,BATT/FU" BOLT
WASHER NUT GRILLE-MS428 LENS.GRILLE.PRIVATE LABEL FENDER.GEAR.CRED.GREEN BRKT.SUPT.

FENDER.CRD FOOTREST.LH.LT/GT FOOTREST.RH.LT/GT BOLT SCREW LT BRACKET ASM LH BRACKET ASM RH NUT WASHER
BRACKET.GRILLE.LH SCREW.HEX.WS.

HD BRACKET.GRILLE.RH SUB= 74780414 AIR DUCT CLIP T SCREW BRKT SUSPENSION "ROD POVOT,CHASSIS" SCREW BRKT.EXT.CHASSIS.
LH.CRD BRKT.EXT.CHASSIS.RH.

CRD SUPPORT.BATTERY.CRD COVER.BATTERY.CRD.BLACK.LT SUPT.ASM.BACKPLATE BOLT-RD HD SQ NK SUB= 73900400
COVER.BACKPLATE.

BLACK BOLT.HEX.3/8-16X2-1/2 SUB= 19132012 NUT BRKT.SWITCH.FBI.CRD GRUARD.DOOR.REAR.CRD HINGE PIN SPRING.COVER.
LH Page 4 of 26 BM125M92EJA (1999 & Before) CHASSIS AND ENCLOSURES Ref # 178 179 180 181 182 183 184 185 186 187 188 189 190 193 Part
Number 76020312 165942 74760516 73680500 138200 19131316 166139 165940 160793 2029J 19061216 10071000 71161010 17720410 5479J Qty
Description SUB= 3145 ROD.PIVOT.FBI.CRD SUB= 77394 SUB= 73690500 WASHER.385X.
625 WASHER BRKT.ACTUATOR.BAG.CRD TUBE.LEVER.

SWCH.FBI.CRD LATCH ASSY.BAGGER WELDNUT WASHER #10 LOCKWASHER SCREW SCREW LT PLUG BUTTON T Page 5 of 26 BM125M92EJA
(1999 & Before) DECALS Page 6 of 26 BM125M92EJA (1999 & Before) DECALS Ref # 1 2 3 4 6 8 9 10 11 12 13 14 15 16 17 18 19 21 22 Part Number
145498 168409 167601 167602 126187X 145437 143001 145005 145494 159737 166959 159736 166961 162598 140837 134999 167734 166286 167637
138311 131864 167679 167680 167682 Qty Description DECAL.READ.O.MANU DECAL.ENG.B&S DECAL.HOOD.

RH DECAL.HOOD.LH SUB= 532126187 DECAL.EURO.ST.CE. @@@@ @@@@ @SUB= 72270506 CHUTE.BAGGER.CRD MANDREL ASM
MANDREL.ASM.

CRD.LH.THREADS DECK.MOWER.COMPLETE Page 16 of 26 BM125M92EJA (1999 & Before) MOWER LIFT Page 17 of 26 BM125M92EJA (1999 &
Before) MOWER LIFT Ref # 1 2 3 4 5 6 7 8 11 12 13 15 16 17 18 19 20 31 32 Part Number 159460 159471 105767X 12000002 19211621 120183X 109413X
124526X 165829 165831 4939M 127218 73350800 130171 73680800 139868 163552 140302 73540600 Qty Description WIRE ASM W.

SPRING "SHAFT ASM LIFT,RH" PIN-GROOVE LT SUB= 2225J WASHER NYLON BEARING GRIP SUB= 125925X LINK.LIFT.LH.CRD LINK.LIFT.
RH.CRD SUB= 85902 LINK.FRONT NUT TRUNION NUT LTV ARM SUSP REAR RETAINER SPRING BEARING PVT LH NUT.CROWNLOCK.3/8 Page 18
of 26 BM125M92EJA (1999 & Before) SCHEMATIC Page 19 of 26 BM125M92EJA (1999 & Before) SCHEMATIC Ref # Part Number REFER Qty
Description REFER TO IMAGE Page 20 of 26 BM125M92EJA (1999 & Before) SEAT ASSY Page 21 of 26 BM125M92EJA (1999 & Before) SEAT ASSY Ref
1 2 5 7 8 9 10 12 13 14 15 16 17 21 22 23 24 25 26 Part Number 127427 140551 145006 124181X 17490616 19131614 155925 121246X 121248X
72050412 134300 121250X 123976X 153236 73800500 74780814 19171912 127018X 10040800 Qty Description SUB= 140119 BRACKET PVT SEAT
CLIP.PUSH-IN.HING SPRING COMPRESSIO SCREW GTV WASHER PAN-SEAT BRKT SWITCH BUSHING BOLT-RD HD SQ NK SPLIT SPACER
SPRING SUB= 73900400 "BOLT,SHOULDER" NUT BOLT WASHER "BOLT,SHOULDER" LOCKWASHER Page 22 of 26 BM125M92EJA (1999 & Before)
STEERING ASSY Page 23 of 26 BM125M92EJA (1999 & Before) STEERING ASSY Ref # 1 2 3 4 5 6 7 8 10 11 13 15 17 18 19 22 23 25 27 29 32 36 37 38 39
40 41 42 43 44 46 47 51 54 62 63 65 66 67 68 74 75 76 77 78 79 80 81 Part Number 140044 137094 157479 157478 6266H 121748X 19272016 12000029
154432 10040600 167118 73901000 156546 57079 160395 165857 165851 154406 136874 17490612 137347 155099 152927 140045 19133808 7810H
100711L 145054 121749X 153720 121232X 6855M 73800500 74780520 167902 74780616 154780 154404 74781044 154429 109850X 109851X 137156
73700600 73360600 19132012 74950612 17490644 Qty Description WHEEL STR AYP BLK SUB= 532137094 "SPINDLE ASM,LH" "SPINDLE ASM,RH"
WASHER .T WASHER WASHER RING LINK.DRAG LOCKWASHER BEARING.FRT.

SPACER.AXLE "NUT-LOC,FLANGE LT" SHAFT ASM STEERIN THRUST WASHER SUPPORT.SHAFT.STEER SCREW.HX.WSH.HD
SHAFT.ASM.PITMAN BRKT-STEERING GEAR SECTOR SCREW ROD.ASM.

TIE.BALL BUSHING.STEERING "SCREW-TT,10-32 FL" CAP STEER AYP WASHER T GRIPCO NUT ADAPTER LT BOOT.STEER.PL WASHER EXT
SHAFT STEERIN CAP ZERK M NUT BOLT KIT.

STEER.ASM BOLT SPACER AXLE "BEARING-ARM,PITMA" BOLT BRACE AXLE JOINT.RH JOINT.LH SUB= 137347 NUT NUT WASHER BOLT.HX.
NYLON3/8-16X3/ SCREW.HXWSH.3/8 Page 24 of 26 BM125M92EJA (1999 & Before) WHEELS AND TIRES Page 25 of 26 BM125M92EJA (1999 &
Before) WHEELS AND TIRES Ref # 1 2 3 4 5 6 7 8 9 10 11 Part Number 59192 65139 106222X 59904 106732X427 278H 9040H 106108X42.

[You're reading an excerpt. Click here to read official AYP
BM125M92EJA user guide](#)



<http://yourpdfguides.com/dref/438337>