



# Your PDF Guides

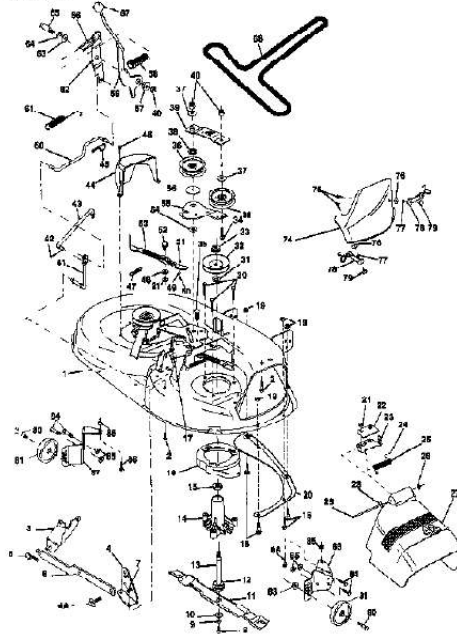
You can read the recommendations in the user guide, the technical guide or the installation guide for AYP AYP7167A39. You'll find the answers to all your questions on the AYP AYP7167A39 in the user manual (information, specifications, safety advice, size, accessories, etc.). Detailed instructions for use are in the User's Guide.

**User manual AYP AYP7167A39**  
**User guide AYP AYP7167A39**  
**Operating instructions AYP AYP7167A39**  
**Instructions for use AYP AYP7167A39**  
**Instruction manual AYP AYP7167A39**

AYP7167A39 (1993)  
42" MOWER DECK

Page 1 of 48

**16 HP 42" TRACTOR -- MODEL NUMBER AYP7167A39**  
**42" MOWER DECK**



[You're reading an excerpt. Click here to read official AYP AYP7167A39 user guide](http://yourpdfguides.com/dref/438210)  
<http://yourpdfguides.com/dref/438210>

Manual abstract:

42" MULCHER" BEARING.BALL SUB= 137646 HSG ASM MANDREL BEARING SUB= 140329 BOLT CARRIAGE BOLT NUT SUB= 918136888 SUB= 73690500 STIFFENER BRKT DEFLECTOR BRKT CAP-SLEEVE LT SPRING TORSION NUT PUSH M DEFLECTOR.SHIELD WASHER HINGE ROD SUB= 17580520 WASHER SUB= 153535 SUB= 139729 BOLT XMAS TREE FASTNER FLAT IDLER PULLEY WASHER GT RETAINER SPACER IDLER ARM STIFF SUB= 73690600 PIVOT ROD SUB= 3145 CLUTCH ROD SECOND SUB= 140088 RETAINER M SCREW LT SPRING EXTENSION HARD SMALL WASHER SUB= 151785 SHOULDER BOLT LOCKNUT SUB= 139888 BRAKE PAD ARM ASM HARDENED WASHER IDLER ARM SPACER RETAINER BUSHING Page 2 of 48 AYP7167A39 (1993) 42" MOWER DECK Ref# 58 59 60 61 62 63 64 65 66 67 68 74 75 76 77 78 79 80 81 83 84 85 86 87 88 Part Number 128759 131813 134666 131870 127847 121748X 12000029 128903 127845 132044 130969 136420 19061216 10071000 71161010 130758 2029H 133814 133957 73980600 74760512 73510500 72110504 132263 132262 130794 138357 Qty Description SUB= 918128759 SUB= 532131813 "ROD, CLUTCH PRIM" RETURN SPRING CLUTCH ARM SECOND WASHER RING SHOULDER BOLT SPRING KEEPER SUB= 532132044 BELT-V.92.4.MWR "COVER.MULCH.42"" WASHER #10 LOCKWASHER SCREW SUB= 160793 NUT WELD SUB= 137644 WHEEL GAGE DONUT NUT SPECIAL T BOLT NUT SUB= 872110504 SUB= 155197 SUB= 155198 MANDREL ASM SUB= 145411 Page 3 of 48 AYP7167A39 (1993) CHASSIS AND ENCLOSURES Page 4 of 48 AYP7167A39 (1993) CHASSIS AND ENCLOSURES Ref# 1 2 3 6 7 9 11 13 14 15 16 17 18 19 20 21 22 23 24 25 26 27 28 29 30 31 32 33 34 35 36 37 38 39 41 42 43 44 45 46 47 48 49 53 54 55 56 57 58 59 60 66 71 72 73 74 75 76 Part Number 135034 137275 17490612 131005X027 17490608 124252X 137207 132069 17490612 135040X026 104783X 132635X505 74180512 19111116 73510500 74760620 19131312 73680600 124130X 10040400 73220400 74180512 131716 105531X 121642X505 137113 17490612 105465X505 105464X505 72110606 73680600 133671 105419X418 73510500 106784X 104618X 73510400 109808X 74191008 10071000 2029J 123481X 73680400 132636X418 132637X418 19091216 73220400 7206J 19070818 73731000 74981020 123198X 124392X417 106395X 17211010 106965X 104755X 17490512 Qty Description SUB= 145501 SUB= 145009 SCREW SADDLE.DANA.6SP SCREW LT SUB= 140398 PANEL.

DASH.LH SUB= 532132069 SCREW PLATE.SLKSCR.DASH DASH ASSY LT SUB= 150301X505 SCREW WASHER NUT SUB= 74780620 WASHER SUB= 73690600 SUPPORT ASS'Y LOCKWASHER SUB= 50675 SCREW SUB= 532131716 NUT-PUSH YT FENDER BRKT.ASM.

FENDER SCREW SUB= 145244X505 SUB= 145243X505 BOLT SUB= 73690600 FOOTREST PAD STRAP.GRILLE NUT SUB= 155013 SUB= 155013 NUT HOOD LATCH T SCREW LOCKWASHER WELDNUT SUB= 7605J SUB= 73690400 SIDE PANEL RH SIDE PANEL LH WASHER PM SUB= 50675 SPACER LT WASHER NUT SCREW SUB= 146525 SUB= 147717 LENS LT SCREW LT SUB= 140181 """"J"""" FASTENER LT" SCREW Page 5 of 48 AYP7167A39 (1993) CHASSIS AND ENCLOSURES Ref# 77 78 79 80 84 85 87 88 89 90 91 92 93 94 95 96 97 98 99 100 101 103 104 105 106 107 108 109 Part Number 19131210 132644 17490412 19091016 19091216 74760512 73510500 74760620 72140608 136800 74760612 73680600 11050600 74760612 19131312 73680600 17490608 74760614 105037X 2751R 2751R 9151R 110436X 105511X 72140606 134774 134775 73800600 Qty Description WASHER SUB= 532132644 SCREW HEX CRT WASHER WASHER PM BOLT NUT SUB= 74780620 SUB= 72110608 "BAFFLE,HOOD" SUB= 74780612 SUB= 73690600 LOCKWASHER SUB= 74780612 WASHER SUB= 73690600 SCREW LT SUB= 74760616 FOAM-STRIP LT CLIP T CLIP T SNAP BUSHING T SUB= 9151R SUB= 140675 BOLT PIVOT BRKT LH PIVOT BRKT RH NUT Page 6 of 48 AYP7167A39 (1993) DECALS Page 7 of 48 AYP7167A39 (1993) DECALS Ref# 1 2 3 4 5 6 8 9 10 11 12 Part Number 136794 133870 133868 133869 138495 133780 133796 4900J 134218 131973 134272 138311 138503 Qty Description SUB= 138955 NLA NLA NLA DECAL.DECK.MULCH NLA DECAL DECAL T DECAL DECAL.ENG.

805720 NLA DECAL HANDLE LIFT MANUAL.O.7167A39 Page 8 of 48 AYP7167A39 (1993) DRIVE Page 9 of 48 AYP7167A39 (1993) DRIVE Ref# 1 2 3 4 5 6 7 8 9 10 11 12 13 14 15 16 17 18 19 20 21 22 23 24 25 26 27 28 29 30 31 32 33 34 35 36 37 38 39 40 41 42 43 44 45 46 47 48 49 50 51 52 53 54 55 56 57 58 Part Number 4360-55 110422X 123667X 12000008 121520X 17490512 130802 131679 19151216 76020416 105701X 19091210 71040412 10040400 74760540 73680500 121520X 74760616 73680600 17490512 106933X 130804 73800600 73350600 106888X 19131316 76020412 133261 71673 130807 127289 74760512 73680500 122424X 120183X 19211616 1572H 123674X 74760644 4470J 109070X 19131312 73680600 105706X 110812X 12000039 127783 123789X 123205X 74760624 73680600 19131316 105710X 76020412 105709X 76020412 131006 127290 Qty Description TRANSAXLE SUB= 146682 "PULLEY,TRANSAXLE" KLIP RING STRAP TORQUE SCREW SUB= 162240 SHIFT ROD WASHER PIN COTTER 1/8 WASH-SHFT PLT LT WASHER LT SUB= 74550412 LOCKWASHER BOLT SUB= 73690500 STRAP TORQUE BOLT SUB= 73690600 SCREW KNOB T (1/2-HOLE) BRAKE ROD NUT NUT SPRING ROD LT WASHER COTTER PIN BRAKE PARK ROD PLUNGER CAP T TRANSAXLE MTG BKT "KEEPER,BELT LH" BOLT SUB= 73690500 SUB= 149001 NYLON BEARING WASHER LT SUB= 2882J PULLEY.IDLER.FLAT BOLT SPACER T BELT KEEPER LT WASHER SUB= 73690600 "LY, BEARING" WASHER LT KLIP RING SUB= 139245 ARM IDLER RETAIN BELT SUB= 74930624 SUB= 73690600 WASHER "LINK, CLUTCH T" COTTER PIN "SPRING, RETURN LT" COTTER PIN BELT-V "KEEPER,BELT RH" Page 10 of 48 AYP7167A39 (1993) DRIVE Ref# 59 60 61 62 63 64 65 66 67 68 69 70 71 72 73 74 75 76 77 78 83 84 85 Part Number 136715 19131312 17490612 8883R 134825 71170764 10040700 129921 74760616 19131312 73680600 134683 74760616 19132012 73680600 109502X 121749X 12000001 123583X 121748X 2228M 17490612 126471X Qty Description SUB= 140312 WASHER SCREW PEDAL COVER T SUB= 136004 BOLT LOCKWASHER KEEPER.BELT.ENG.L BOLT WASHER SUB= 73690600 KEEPER BELT ENG BOLT WASHER SUB= 73690600 SPACER LT WASHER E-RING LT SQUARE KEY WASHER SUB= 2228M1 SCREW "CLIP,INSULATOR" Page 11 of 48 AYP7167A39 (1993) ELECTRICAL Page 12 of 48 AYP7167A39 (1993) ELECTRICAL Ref# 1 2 3 4 5 6 8 9 10 11 12 13 14 15 16 17 19 20 21 22 23 24 25 26 27 28 29 30 31 32 33 34 35 36 37 45 46 47 48 49 50 51 52 53 54 Part Number 121265X 102972X 124211X 134494 4207J 4206J 7603J 109596X 109081X 10090400 73350400 74780408 11050400 73510400 131563 109553X 104445X 17021008 121305X 121264X 74760412 19091016 10040400 73220400 122147X 108824X 7604J 123620X 110712X 127441X 4152J 108236X 17021008 130890 17021008 123198X 102476X 72240460 9433R 131708 10101000 73911000 19070818 7192J 19131416 Qty Description SUB= 123899X SUB= 918102972X NUT IGNITION HARNESS CABLE T CABLE-BATTERY T "TRAY T, BATTERY" HOSE CLAMP T SUB= 146154 SUB= 10040400 NUT BOLT LOCKWASHER NUT SUB= 154336 SWITCH INTERLOCKT SWITCH-INTER. GT SCREW SWITCH SEAT "CAP,BATTERY " BOLT LT WASHER LOCKWASHER SUB= 50675 KEY FUSE HYT SUB= 7697J SUB= 141226 SWITCH LT SUB= 136850 HEADLAMP BULB BRACKET LT SCREW SWITCH BRACKET SCREW SUB= 146525 SUB= 150109 BOLT AMMETER T SUB= 532131708 SUB= 10071000 NUT WASHER WIRE TIE WASHER Page 13 of 48 AYP7167A39 (1993) ENGINE Page 14 of 48 AYP7167A39 (1993) ENGINE Ref# 1 2 3 4 5 6 7 8 9 10 11 12 13 14 15 16 17 18 19 20 21 22 23 24 25 26 29 30 31 32 33 34 35 36 37 38 40 Part Number 132748 17720410 132781 11050600 73610600 122435X 122434X 13280336 13200300 11050600 17490624 122440X 17190408 17490512 19132012 122439X 128199 101326L 17030808 133746 105839X 105838X 123650X 128953 17021008 137180 127334X 123487X 123549X 8543R 106082X 3645J 139277 2751R 109227X Qty Description SUB= 532132748 SCREW LT REFER TO IMAGE CHOKE CONTROL LOCKWASHER SUB= 7810H TUBE ASSY EXH RH TUBE ASSY EXH LH PIPE NIPPLE LT ELBOW LOCKWASHER SCREW LT SUB= 149723 SCREW ST SCREW WASHER BRACKET MUFFLER SUB= 145552 DEFLECTOR.

[You're reading an excerpt. Click here to read official AYP AYP7167A39 user guide](#)



<http://yourpdfguides.com/dref/438210>

1/4.TURN HEAT SHIELD SCREW SUB= 532137180 SUB= 151346 HOSE CLAMP SUB= 158990 FUEL LINE T PAD-SPACER LT BUSHING OUTLET T  
STEM.TANK.FUEL CHECK WITH SUPPLIER CLIP T PAD IDLER TI Page 15 of 48 AYP7167A39 (1993) ENGINE/B&S Page 16 of 48 AYP7167A39 (1993)  
ENGINE/B&S Ref# 1 2 3 5-1 5-2 6 7 8 9 10 11 12 13 15 16 16A 16B 18 20 22 23 24 25 25A 25B 25C 26 26A 26B 26C 27 28 29 32 33 34 35 40 42 45 46 50  
51 52 53 54 75 78 84 87 94 95 98 104 105 108 116 116A Part Number 807511 805107 805101 807508 807510 805193 805111 807795 805379 805751  
805362 805112 805097 805048 807586 94196 807625 807638 805049 805017 807531 805016 807619 807807 807809 807811 807620 807808 807810  
807812 805099 807621 807622 805395 805089 805090 805078 805092 805161 805354 807542 805409 805149 805023 805360 805006 805007 805447  
305059 805054 805777 805561 807705 805586 807706 805562 805058 805198 Qty Description CYLINDER ASSEMBLY BEARING, CYLINDER SEAL, OIL  
HEAD, CYLINDER #1 HEAD, CYLINDER #2 WASHER, CYLINDER HEAD GASKET, CYLINDER HEAD BREATHER ASSEMBLY GASKET, BREATHER  
SCREW TUBE, BREATHER GASKET, CRANKCASE COVER SCREW, CYLINDER HEAD PLUG, OIL DRAIN CRANKSHAFT KEY, TIMING GEAR  
WASHERS, THRUST COVER ASSEMBLY, CRANKCASE SEAL, OIL SCREW, CRANKCASE COVER FLYWHEEL MAGNETO KEY, FLYWHEEL PISTON  
ASSEMBLY, STANDARD PISTON ASSEMBLY .010" OVERSIZE PISTON ASSEMBLY .020" OVERSIZE PISTON ASSEMBLY .030" OVERSIZE RING SET,  
PISTON, STANDARD RING SET, PISTON .010" OVERSIZE RING SET, PISTON .020" OVERSIZE RING SET, PISTON .030" OVERSIZE LOCK, PISTON  
PIN PIN ASSEMBLY, PISTON, STANDARD ROD ASSEMBLY, CONNECTING SCREW, CONNECTING ROD VALVE, EXHAUST VALVE, INTAKE SPRING,  
VALVE RETAINER, VALVE SPRING RETAINER, VALVE TAPPET, VALVE GEAR, CAM MANIFOLD, INTAKE GASKET, CARBURETOR MOUNTING  
GASKET, INTAKE MANIFOLD SCREW, SEMS SCREW, SEMS WASHER, SPRING SCREW, SEMS PLUG, PIPE SEAL, GOVERNOR SHAFT NOZZLE,  
CARBURETOR SCREW, VALVE MOUNTING SCREW, THROTTLE ADJUSTING PIN, FLOAT HINGE VALVE, FUEL INLET VALVE, CHOKE O-RING,  
OIL PUMP O-RING, CRANKCASE COVER Page 17 of 48 AYP7167A39 (1993) ENGINE/B&S Ref# 116B 117 118 121 122 125 127 127A 130 131 133 137  
141 147 156 161 166A 167 171 187 187A 188 189 192 201 209 209A 216 222 227 232 240 243 254 265 271 277 304 305 307 308-1 308-2 309 310 311 324  
332 333 334 337 353 354 354A 356 358 363 387 423 Part Number 807707 807962 805329 807961 805570 805571 805572 807709 807710 807711 807960  
805343 807857 805073 805420 805019 393815 296004 805247 805449 807623 805480 805462 805453 805439 807610 807528 805465 394358 805312  
807713 221535 807609 805018 807899 805406 805025 807868 807869 399169 94169 490311 280829 805021 492341 805407 491055 92791 90576 810078  
493792 807640 19203 491922 805260 Qty Description REFER TO IMAGE REFER TO IMAGE VALVE ASSEMBLY, CARBURETOR IDLE CARBURETOR  
OVERHAUL KIT SPACER, CARBURETOR CARBURETOR, ASSEMBLY PLUG, WELCH PLUG, WELCH VALVE, THROTTLE SHAFT, THROTTLE FLOAT  
ASSEMBLY, CARBURETOR REFER TO IMAGE SHAFT, CHOKE NOZZLE STUD, ROCKER ARM BASE ASSEMBLY, AIR CLEANER STUD, OIL FILTER  
ADAPTER WASHER, VALVE COVER NUT, NYLOCK HOSE (CUT TO SUIT) PIPE, FUEL SCREW, STARTER MOUNTING LOCK WASHER SCREW,  
VALVE ADJUSTMENT LINK, GOVERNOR SPRING, GOVERNOR SPRING, GOVERNED IDLE LINK, CHOKE BRACKET, GOVERNOR CONTROL  
LEVER ASSEMBLY, GOVERNOR SPRING, GOVERNOR LINK FILTER, FUEL SCREEN, OIL DRAIN, CARBURETOR BOWL CLAMP BRACKET, CHOKE  
CONTROL WASHER HOUSING, BLOWER SCREW, SEMS SCREW, SEMS COVER, AIR GUIDE, CYLINDER #1 COVER, AIR GUIDE, CYLINDER #2  
MOTOR, STARTING BOLT SCREEN ROTATING SCREEN, ROTATING NUT, HEX ARMATURE, MAGNETO SCREW, MOUNTING PLUG, SPARK  
WASHERLOCK NUT, HEX NUT, HEX WASHER HEAD WIRE ASSEMBLY, GROUND GASKET SET PULLER, FLYWHEEL PUMP, FUEL SCREW, SEMS  
Page 18 of 48 AYP7167A39 (1993) ENGINE/B&S Ref# 445 467 474 501 510 513 520 523 524 525 526 527 535 537 544 552 552A 562 572 573 592 601 613  
614 615 615A 616 634 634A 634B 634C 635 642 643 657 668 718 718A 722 726 727 729 741 783 788 801 802 803 819 823 842 851 862 864 866 868 869  
870 Part Number 394018 491875 393295 394890 490421 398003 93722 807516 805011 807611 805448 223167 271271 805655 490309 805412 805413  
805381 805197 307663 805383 93053 805158 8807716 805250 805030 398525 805575 490316 805632 805581 807797 805028 805100 807665 807546  
805313 805352 805617 492932 805292 807557 805342 805341 807668 807688 807717 Qty Description GUIDE, VALVE PINION SPRING KIT COVER,  
CARBURETOR GASKET, EXHAUST MANIFOLD ROLL PIN SOLENOID PLUG AND SEAL, CARBURETOR BOWL ASSEMBLY, FLOAT CARBURETOR  
GASKET SET GASKET, OIL FILTER ADAPTOR SCREW, SEMS INSULATOR ASSEMBLY SEAL, THROTTLE SHAFT BRUSH SPRING SET TUBE, AIR  
INLET SEAL, CHOKE SHAFT DEFLECTOR, BREATHER, A.  
C. @@@@ @@@@SRTG. BEAR. @@.



[You're reading an excerpt. Click here to read official AYP  
AYP7167A39 user guide  
<http://yourpdfguides.com/dref/438210>](#)