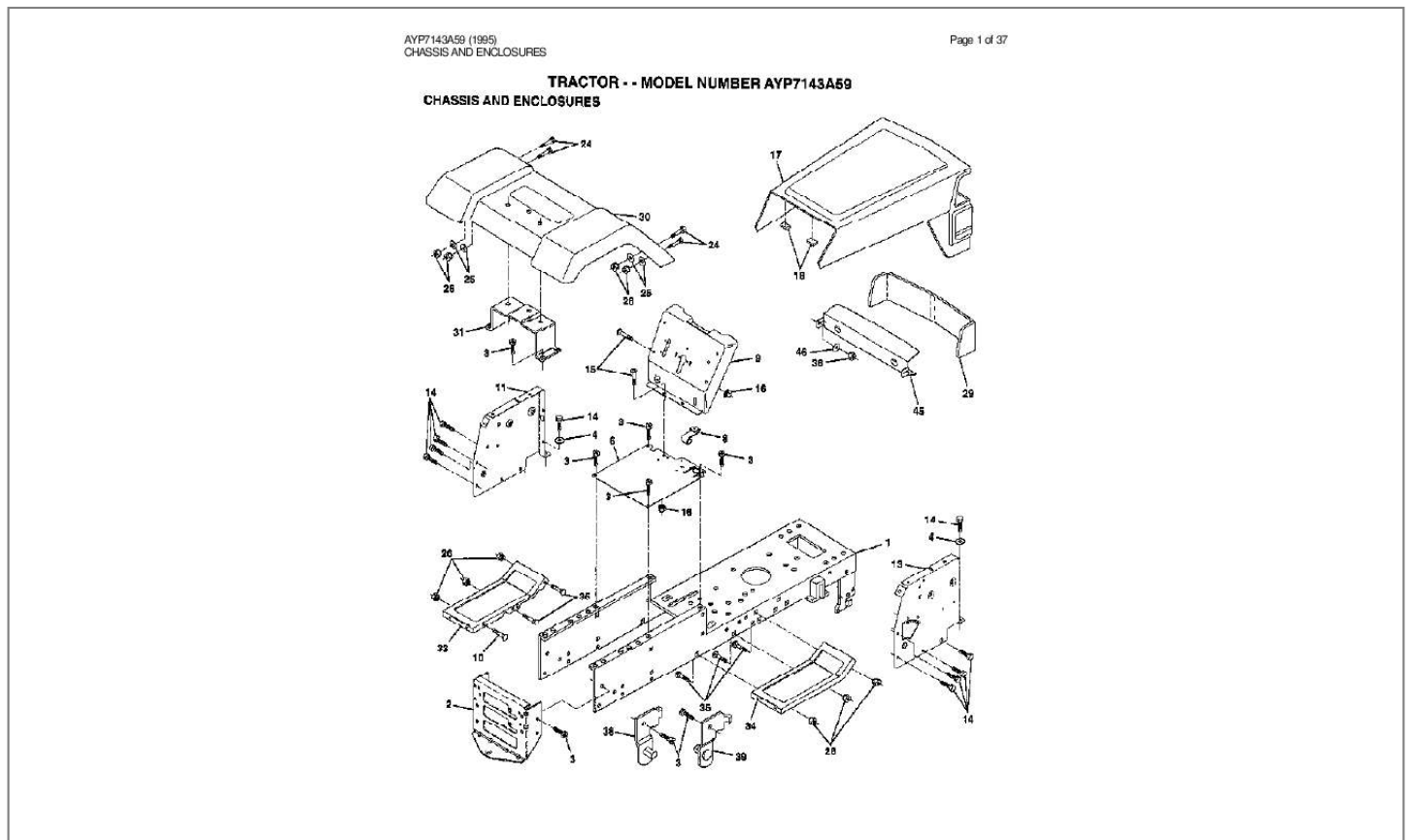




Your PDF Guides

You can read the recommendations in the user guide, the technical guide or the installation guide for AYP AYP7143A59. You'll find the answers to all your questions on the AYP AYP7143A59 in the user manual (information, specifications, safety advice, size, accessories, etc.). Detailed instructions for use are in the User's Guide.

User manual AYP AYP7143A59
User guide AYP AYP7143A59
Operating instructions AYP AYP7143A59
Instructions for use AYP AYP7143A59
Instruction manual AYP AYP7143A59



[You're reading an excerpt. Click here to read official AYP AYP7143A59 user guide](http://yourpdfguides.com/dref/438192)
<http://yourpdfguides.com/dref/438192>

Manual abstract:

INS.HD.14.5 DECAL DECAL T NLA DECAL HOOD RH WIZ DECAL HOOD LH WIZ DECAL DECAL GRILL WIZ DECAL GRILL WIZ DECAL BRAK
PARK NLA DECAL HANDLE LIFT MANUAL.O.7143X59 Page 4 of 37 AYP7143A59 (1995) DRIVE Page 5 of 37 AYP7143A59 (1995) DRIVE Ref# 1 2 3 4 5
6 7 8 10 11 12 13 14 15 18 19 21 22 24 25 26 27 28 29 30 31 32 34 35 36 37 38 39 40 41 42 44 45 46 47 48 49 50 51 52 53 55 56 57 58 59 61 62 63 64 65 66
70 Part Number 142602 146682 123666X 12000028 121520X 17490512 130802 131679 76020416 105701X 19151216 74550412 10040400 74780544
74780616 73800600 106933X 130804 73350600 106888X 19131316 76020412 145204 71673 130807 127275X 74760512 122424X 120183X 19211616
1572H 123674X 74760644 4470J 109070X 19131312 105706X 110812X 12000039 127783 123789X 123205X 74760624 73680600 73680500 105710X
105709X 74760620 130801 127274X 140312 17490612 8883R 140186 71170764 10040700 129921 134683 Qty Description SUB= 160851
SPRING.BRAKE.RETU PULLEY TRANS SUB= 2267J STRAP TORQUE SCREW SUB= 162240 SHIFT ROD PIN COTTER 1/8 WASH-SHFT PLT LT
WASHER BOLT.1/4-28.W/PAT LOCKWASHER BOLT HEX BOLT NUT KNOB T (1/2-HOLE) BRAKE ROD NUT SPRING ROD LT WASHER COTTER PIN
ROD.
BRAKE.PARK.LT PLUNGER CAP T TRANSAXLE MTG BKT "KEEPER,BELT LH T" BOLT SUB= 149001 NYLON BEARING WASHER LT SUB= 2882J
PULLEY.IDLER.FLAT BOLT SPACER T BELT KEEPER LT WASHER "LY, BEARING" WASHER LT KLIP RING SUB= 139245 ARM IDLER RETAIN BELT
SUB= 74930624 SUB= 73690600 SUB= 73690500 "LINK, CLUTCH T" "SPRING, RETURN LT" SUB= 74780620 SUB= 138255 "KEEPER,BELT RH T"
KEEPER BELT CNTSP SCREW PEDAL COVER T PULLEY.
ENGINE BOLT LOCKWASHER KEEPER.BELT.ENG.L KEEPER BELT ENG Page 6 of 37 AYP7143A59 (1995) DRIVE Ref# 72 74 75 76 77 78 100 112
Part Number 19132012 109502X 121749X 12000001 123583X 121748X 19111216 19091210 Qty Description WASHER SPACER LT WASHER E-RING LT
SQUARE KEY WASHER WASHER M WASHER LT Page 7 of 37 AYP7143A59 (1995) ELECTRICAL Page 8 of 37 AYP7143A59 (1995) ELECTRICAL Ref# 1
2 3 4 5 6 7 8 9 19 20 21 22 23 24 25 26 28 29 30 31 32 33 34 35 36 38 39 40 41 42 43 44 49 70 Part Number 121265X 74760412 19091016 10040400
121264X 73220400 109238X 129965 109596X 10090400 73350400 136850 4152J 11150400 4799J 132202 108824X 4207J 121305X 144921 140400
141226 140402 110712X 108236X 17021008 140336 109553X 140415 71110408 131563 138406 73640400 11151000 140422 Qty Description SUB=
123899X BOLT LT WASHER LOCKWASHER "CAP,BATTERY " SUB= 50675 TUBE T SUB= 156417 HOSE CLAMP T SUB= 10040400 NUT
"HARNES, LIGHT SOC" HEADLAMP BULB LOCKWASHER "CABLE T, BATTERY" SUB= 146147 FUSE HYT CABLE T SWITCH SEAT SUB= 163088
SUB= 145774 COVER KEY SWITCH KEY STEEL DELTA SWITCH LT BRACKET LT SCREW BRACKET SWITCH IN SWITCH INTERLOCKT HARNES
IGN DASH BOLT HXHD FIN SUB= 154336 SUB= 146154 NUT HXKEP 1/4X20 LOCKWASHER HARNES.ENG.
DUAL Page 9 of 37 AYP7143A59 (1995) ENGINE Page 10 of 37 AYP7143A59 (1995) ENGINE Ref# 1 2 3 4 13 14 15 16 18 19 20 21 22 23 24 29 30 31 32
33 37 38 40 44 46 62 72 78 81 Part Number 132759 17720410 137352 125593X 13280324 13200300 11050600 136718 105839X 105838X 19091016
123650X 128953 17021008 137180 127057X 109202X 140527 123487X 137040 124028X 17490412 19091416 10040500 71070512 17490620 73510400 Qty
Description SUB= 918132759 SCREW LT REFER TO IMAGE MUFFLER SUB= 272293 PIPE NIPPLE ELBOW LOCKWASHER SHIELD HEAT
RECEPTACLE LT RETAINER LT WASHER STUD.1/4.TURN HEAT SHIELD SCREW SUB= 532137180 SUB= 532127057 TANK.FUEL.LT. CAP ASM
FUEL HOSE CLAMP LINE FUEL REFER TO IMAGE SUB= 532124028 SCREW HEX CRT WASHER LOCKWASHER SCREW SCREW NUT Page 11 of 37
AYP7143A59 (1995) ENGINE/B&S Page 12 of 37 AYP7143A59 (1995) ENGINE/B&S Ref# 1 2 3 5 7 8 9 10 11 12 13 15 16 18 20 22 23 24 25 Part Number
490450 399265 391086 494240 271866 391406 27803 94621 280100 271916 271997 271996 94622 94239 495162 94196 494238 291675 94624 492326
222698 394661 394662 394663 394664 391780 392331 391781 391782 391783 260924 299691 391286 490348 490469 94671 262246 262247 65906 26828
224502 221596 292260 93630 262248 121897 272465 272554 94637 224061 93805 94098 495800 231789 231855 231854 Page 13 of 37 26 24 28 29 Qty
Description CYLINDER ASSEMBLY P/N CONFLICT - CHECK WITH SUPPLIER SEAL, OIL HEAD, CYLINDER GASKET, CYLINDER HEAD BREATHER
ASSEMBLY GASKET, VALVE COVER SCREW, STEMS TUBE, BREATHER GASKET, CRANKCASE COVER 1/64" GASKET, CRANKCASE COVER .005"
GASKET, CRANKCASE COVER .009" SCREW, CYLINDER HEAD 3" PLUG, OIL DRAIN CRANKSHAFT KEY, TIMING GEAR BASE, ENGINE SEAL, OIL
SCREW, SEMS, BASE MOUNTING FLYWHEEL & RING GEAR ASSY, MAGNETO KEY, FLYWHEEL PISTON ASSEMBLY, STANDARD PISTON
ASSEMBLY .010" OVERSIZE PISTON ASSEMBLY .020" OVERSIZE PISTON ASSEMBLY .
030" OVERSIZE RING SET, PISTON, STANDARD RING SET, PISTON, STANDARD SIZE RING SET, PISTON .010" OVERSIZE RING SET, PISTON .020"
OVERSIZE RING SET, PISTON .030" OVERSIZE LOCK, PISTON PIN PIN ASSEMBLY, PISTON, STANDARD PIN ASSEMBLY, PISTON .005" OVER ROD
ASSEMBLY, CONNECTING ROD ASSEMBLY, CONNECTING .020" UNDERSIZE CRANKPIN SCREW, CONNECTING ROD VALVE, EXHAUST VALVE,
INTAKE SPRING, INTAKE VALVE SPRING, EXHAUST VALVE GUARD, FLYWHEEL RETAINER, INTAKE VALVE RETAINER, EXHAUST VALVE
RETAINER, EXHAUST VALVE ROTOCOIL(2) TAPPET-VALVE GEAR, CAM GASKET, CARBURETOR (CARBURETOR TO ELBOW) GASKET CARB
STUD, CARBURETOR MOUNTING WASHER, SPRING SCREW, SEMS SCREW, THROTTLE SCREW, IDLE SPEED PIN, FLOAT HINGE VALVE ASSY,
INLET NEEDLE INLET VALVE SEAT 32 33 24 35 36 37 40 41 42 45 46 51 52 53 75 78 95 98 104 105 106 AYP7143A59 (1995) ENGINE/B&S Ref# 108 118
121 123 125 127 130 131 133 137 138 141 142 147 164 171 187 188 201 209 216 219 222 224 225 227 230 323 240 265 284 304 305 306 307 308 309 333
334 337 346 356 358 363 383 422 423 445 455 467 468 474 482 523 524 525 Part Number 224540 494383 495799 94616 495706 224539 494379 494381
281165 281164 494380 494537 231794 213819 281051 393815 93535 262767 260871 262766 490815 494887 94513 231058 494241 495799 493935 94742
262785 394358 221535 94326 494269 94619 224545 94623 491490 492341 93381 802592 93705 494328 494241 19203 89838 223721 94073 493909
222561 493903 222562 393474 93621 490327 68838 280741 Page 14 of 37 Qty Description VALVE, CHOKE VALVE, NEEDLE IN CARBURETOR
OVERHAUL KIT SCREW, ELBOW MOUNTING CARBURETOR ASSEMBLY CHECK WITH SUPPLIER VALVE, THROTTLE SHAFT & LEVER,
THROTTLE FLOAT, CARBURETOR GASKET, FLOAT BOWL WASHER, FLOAT BOWL SCREW SHAFT AND LEVER, CHOKE NOZZLE/JET,
CARBURETOR PILOT, JET ELBOW, INTAKE P/N CONFLICT - CHECK WITH SUPPLIER HOSE (CUT TO SUIT) SCREW, HEX HEAD LINK,
GOVERNOR SPRING, GOVERNOR LINK, CHOKE GOVERNOR GEAR PLATE, GOVERNOR CONTROL SCREW, SEMS, AIR CLEANER CRANK,
GOVERNOR GASKET SET IN CARBURETOR OVERHAUL KIT LEVER ASSY, GOVERNOR WASHER, GOVERNOR CRANK, 1/4" I.D. @@@@BOLT,
GOVERNOR LEVER NUT, HEX CLAMP, HOSE, GREEN FUEL INLET TUBE COTTER, HAIR PIN RETAINER, E-RING SPRING, CHOKE RETURN SEAL,
CHOKE SHAFT SEAL, GOVERNOR WASHER, THROTTLE SHAFT ELBOW, SPARK PLUG BRACE, AIR CLEANER SCREW, SEMS SCREW, HEX HEAD
SPACER GEAR, RING COVER, STARTER SCREW, SEMS 3/4" CLIP, LEAD WIRE RETAINER, WIRE GEAR, TIMING LINK, COUNTERWEIGHT
COUNTERWEIGHT ASSY PIN ASSY, PISTON, STD SCREW, COUTENWEIGHT SEAL, OIL FILLER CAP FILL GROUP, OIL TERMINAL, IGNITION
CABLE SEAT, INTAKE VALVE, STANDARD SEAT, EXHAUST VALVE, STANDARD GUIDE, EXHAUST VALVE GUIDE, INTAKE VALVE COVER, AIR
CLEANER BODY, AIR CLEANER DIODE & CONNECTOR ASSY SCREW, FUEL BOWL LOCKNUT, AIR CLEANER MOUNTING BOWL ASSEMBLY,
CARBURETOR CARBURETOR GASKET KIT SEAL, THROTTLE SHAFT FAN, FLYWHEEL RETAINER, FAN LABEL KIT SCREW, SHOULDER, HEX
HEAD Page 15 of 37 AYP7143A59 (1995) ENGINE/B&S Page 16 of 37 AYP7143A59 (1995) ENGINE/B&S Ref# 1 2 3 5 7 8 9 10 11 12 13 15 16 18 20 22 23

24 25 Part Number 490450 399265 391086 494240 271866 391406 27803 94621 280100 271916 271997 271996 94622 94239 495162 94196 494238
291675 94624 492326 222698 394661 394662 394663 394664 391780 392331 391781 391782 391783 260924 299691 391286 490348 490469 94671
262246 262247 65906 26828 224502 221596 292260 93630 262248 212897 272465 272554 94637 224061 93805 94098 495800 231789 231855 231854
Page 17 of 37 26 24 28 29 Qty Description CYLINDER ASSEMBLY P/N CONFLICT - CHECK WITH SUPPLIER SEAL, OIL HEAD, CYLINDER GASKET,
CYLINDER HEAD BREATHER ASSEMBLY GASKET, VALVE COVER SCREW, STEMS TUBE, BREATHER GASKET, CRANKCASE COVER 1/64"
GASKET, CRANKCASE COVER.



[You're reading an excerpt. Click here to read official AYP](#)

[AYP7143A59 user guide](#)

<http://yourpdfguides.com/dref/438192>

005" GASKET, CRANKCASE COVER .009" SCREW, CYLINDER HEAD 3" PLUG, OIL DRAIN CRANKSHAFT KEY, TIMING GEAR BASE, ENGINE SEAL, OIL SCREW, SEMS, BASE MOUNTING FLYWHEEL & RING GEAR ASSY, MAGNETO KEY, FLYWHEEL PISTON ASSEMBLY, STANDARD PISTON ASSEMBLY.

010" OVERSIZE PISTON ASSEMBLY .020" OVERSIZE PISTON ASSEMBLY .030" OVERSIZE RING SET, PISTON, STANDARD RING SET, PISTON, STANDARD SIZE RING SET, PISTON .010" OVERSIZE RING SET, PISTON .020" OVERSIZE RING SET, PISTON .

030" OVERSIZE LOCK, PISTON PIN PIN ASSEMBLY, PISTON, STANDARD PIN ASSEMBLY, PISTON .005" OVER ROD ASSEMBLY, CONNECTING ROD ASSEMBLY, CONNECTING .020" UNDERSIZE CRANKPIN SCREW, CONNECTING ROD VALVE, EXHAUST VALVE, INTAKE SPRING, INTAKE VALVE SPRING, EXHAUST VALVE GUARD, FLYWHEEL RETAINER, INTAKE VALVE RETAINER, EXHAUST VALVE RETAINER, EXHAUST VALVE ROTOCOIL(2) TAPPET-VALVE GEAR, CAM GASKET, CARBURETOR (CARBURETOR TO ELBOW) GASKET CARB STUD, CARBURETOR MOUNTING WASHER, SPRING SCREW, SEMS SCREW, THROTTLE SCREW, IDLE SPEED PIN, FLOAT HINGE VALVE ASSY, INLET NEEDLE INLET VALVE SEAT 32 33 24 35 36 37 40 41 42 45 46 51 52 53 75 78 95 98 104 105 106 AYP7143A59 (1995) ENGINE/B&S Ref# 108 118 121 123 125 127 130 131 133 137 138 141 142 147 164 171 187 188 201 209 216 219 222 224 225 227 230 323 240 265 284 304 305 306 307 308 309 333 334 337 346 356 358 363 383 422 423 445 455 467 468 474 482 523 524 525 Part Number 224540 494383 495799 94616 495706 224539 494379 494381 281165 281164 494380 494537 231794 213819 281051 393815 93535 262767 260871 262766 490815 494887 94513 231058 494241 495799 493935 94742 262785 394358 221535 94326 494269 94619 224545 94623 491490 492341 93381 802592 93705 494328 494241 19203 89838 223721 94073 493909 222561 493903 222562 393474 93621 490327 68838 280741 Page 18 of 37 Qty Description VALVE, CHOKE VALVE, NEEDLE IN CARBURETOR OVERHAUL KIT SCREW, ELBOW MOUNTING CARBURETOR ASSEMBLY CHECK WITH SUPPLIER VALVE, THROTTLE SHAFT & LEVER, THROTTLE FLOAT, CARBURETOR GASKET, FLOAT BOWL VE, INTAKE SPRING, INTAKE VALVE SPRING, EXHAUST VALVE GUARD, FLYWHEEL RETAINER, INTAKE VALVE RETAINER, EXHAUST VALVE RETAINER, EXHAUST VALVE ROTOCOIL(2) TAPPET-VALVE GEAR, CAM GASKET, CARBURETOR (CARBURETOR TO ELBOW) GASKET CARB STUD, CARBURETOR MOUNTING WASHER, SPRING SCREW, SEMS SCREW, THROTTLE SCREW, IDLE SPEED PIN, FLOAT HINGE VALVE ASSY, INLET NEEDLE INLET VALVE SEAT 32 33 24 35 36 37 40 41 42 45 46 51 52 53 75 78 95 98 104 105 106 AYP7143A59 (1995) ENGINE/B&S Ref# 108 118 121 123 125 127 130 131 133 137 138 141 142 147 164 171 187 188 201 209 216 219 222 224 225 227 230 323 240 265 284 304 305 306 307 308 309 333 334 337 346 356 358 363 383 422 423 445 455 467 468 474 482 523 524 525 Part Number 224540 494383 495799 94616 495706 224539 494379 494381 281165 281164 494380 494537 231794 213819 281051 393815 93535 262767 260871 262766 490815 494887 94513 231058 494241 495799 493935 94742 262785 394358 221535 94326 494269 94619 224545 94623 491490 492341 93381 802592 93705 494328 494241 19203 89838 223721 94073 493909 222561 493903 222562 393474 93621 490327 68838 280741 Page 22 of 37 Qty Description VALVE, CHOKE VALVE, NEEDLE IN CARBURETOR OVERHAUL KIT SCREW, ELBOW MOUNTING CARBURETOR ASSEMBLY CHECK WITH SUPPLIER VALVE, THROTTLE SHAFT & LEVER, THROTTLE FLOAT, CARBURETOR GASKET, FLOAT BOWL WASHER, FLOAT BOWL SCREW SHAFT AND LEVER, CHOKE NOZZLE/JET, CARBURETOR PILOT, JET ELBOW, INTAKE P/N CONFLICT - CHECK WITH SUPPLIER HOSE (CUT TO SUIT) SCREW, HEX HEAD LINK, GOVERNOR SPRING, GOVERNOR LINK, CHOKE GOVERNOR GEAR PLATE, GOVERNOR CONTROL SCREW, SEMS, AIR CLEANER CRANK, GOVERNOR GASKET SET IN CARBURETOR OVERHAUL KIT LEVER ASSY, GOVERNOR WASHER, GOVERNOR CRANK, 1/4" I.D.

@@@@@@@@@SRTG.

BEAR. SUB= 532130468 LOCKWASHER SUB= 7810H BEARING BOLT HEX 5/8-11 "NUT-LOC,FLANGE LT" AXLE PIN SHAFT ASM THRUST WASHER SUPPORT.SHAFT SUB= 532126684 LOCKWASHER "SCREW,SPECIAL" SUB= 918127501 NYLINER T "BRKT,STEERING" BUSHING.DRAGLINK GEAR SECTOR WASHER SCREW COTTER PIN TIE ROD SUB= 155106 SUB= 98000165 ST WHL INSERT CAP WASHER T GRIPCO NUT ADAPTER-WHEEL LT "TUBE, STR SHAFT" WASHER CAP ZERK M Page 32 of 37 AYP7143A59 (1995) TRANSAXLE Page 33 of 37 AYP7143A59 (1995) TRANSAXLE Ref# 1 2 3 4 5 6 7 8 9 10 11 12 13 14 15 16 17 18 19 20 21 22 23 24 25 26 27 28 29 30 31 32 33 34 35 36 37 38 39 40 41 42 43 44 45 46 47 48 49 50 51 52 53 54 55 56 57 58 Part Number 5305D 1919 5112 3626 3623 4731 5024 3907 5416 1106 4689 5415 3876 1746 4551 3590 3624 3625 1542 5402 5303 4758 5131 5403 1375 3627 3830 3841 5365 3867 3783 3869 5202 5027 3628 1423 3422 4286 3967 3901 3645 3853 4691 3882 5364 3866 3719 3868 3683 3714 1145 5130 3184 3880 3780 3656 3839 3919 Qty Description HOUSING, UPPER SCREW BALL, DETENT SPRING, DETENT SCREW, SET SHIFTER ASSEMBLY BOOT, SHIFTER PUCK, FRICTION SEAL, OIL RING, RETAINING ASSY, KIT, SHIM .625 SHAFT BEARING, FLANGE WASHER, PLAIN .632 X 1.38 X .046 KEY, WOODRUFF, #9 ASSEMBLY, KIT, INPUT SHAFT PINION, BEVEL, 14 TEETH RING, RETAINING CHAIN, 24 PITCHES BEARING, FLANGE GEAR, SPUR, 14 TEETH COLLAR, CLUTCH ASSEMBLY, KIT, CLUTCH KEYS SCREW TAPPING WITH SEALER SHAFT, INTERMEDIATE KEY, WOODRUFF, #61 RING, RETAINING SPROCKET, 18 TEETH SPACER GEAR, SPUR, 37 TEETH GEAR, SPUR, 30 TEETH GEAR, SPUR, 25 TEETH GEAR, SPUR, 22 TEETH GEAR, SPUR, 19 TEETH SPACER WASHER, PLAIN .640 X 1.37 X .

061 WASHER, PLAIN .632 X 1.00 X .026 SPACER .630 X 1.00 X .169 ASSY GEAR COMB 12&35 TEETH SHAFT, IDLER SPACER .635 X .875 X .755 SPROCKET, 9 TEETH GEAR, BEVEL, 42 TEETH ASSY, KIT, SHIM .

750 SHAFT SHAFT, DRIVE GEAR SPUR, 12 TEETH GEAR, SPUR, 20 TEETH GEAR, SPUR, 25 TEETH GEAR, SPUR, 28 TEETH GEAR, SPUR, 31 TEETH SPACER WASHER, PLAIN .632 X 1.00 X .060 WASHER, NEOPRENE WASHER, PLAIN .758 X 1.

25 X .031 AXLE LEFT HAND GEAR, MITER, 15 TEETH RING, RETAINING GEAR, SPUR, 32 TEETH SHAFT, CROSS Page 34 of 37 AYP7143A59 (1995) TRANSAXLE Ref# 59 60 61 62 63 64 65 66 67 68 69 70 71 72 73 Part Number 3781 3881 5304E 3920 3276 3758 3916 3843 5120 5285 3760 3917 3847 3724 4300 Qty Description GEAR, MITER, 15 TEETH AXLE, R.H. .



[You're reading an excerpt. Click here to read official AYP](#)

[AYP7143A59 user guide](#)

<http://yourpdfguides.com/dref/438192>