



Your PDF Guides

You can read the recommendations in the user guide, the technical guide or the installation guide for AYP AYP3455A79. You'll find the answers to all your questions on the AYP AYP3455A79 in the user manual (information, specifications, safety advice, size, accessories, etc.). Detailed instructions for use are in the User's Guide.

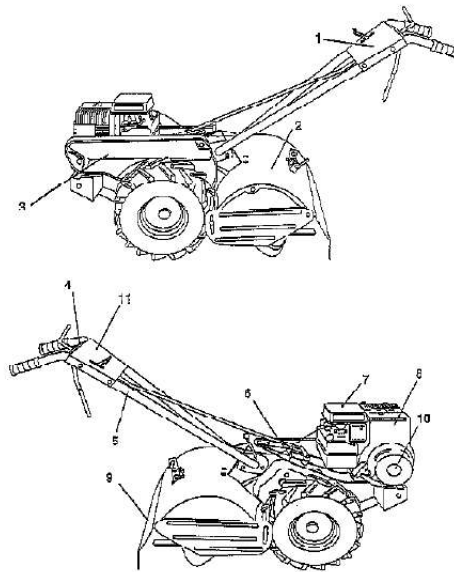
User manual AYP AYP3455A79
User guide AYP AYP3455A79
Operating instructions AYP AYP3455A79
Instructions for use AYP AYP3455A79
Instruction manual AYP AYP3455A79

AYP3455A79 (1997)
DECALS

Page 1 of 26

TILLER - - MODEL NUMBER AYP3455A79

DECALS



[You're reading an excerpt. Click here to read official AYP AYP3455A79 user guide](http://yourpdfguides.com/dref/438140)
<http://yourpdfguides.com/dref/438140>

Manual abstract:

GUARD.BLT.W NLA DECAL TI DECAL CRT SUB= 121858X DECAL, BRIGGS & STRATTON DECAL TI DECAL, 5.5 HP DECAL REVERSE MANUAL.O.3455A79 Page 2 of 26 AYP3455A79 (1997) ENGINE/B&S Page 3 of 26 AYP3455A79 (1997) ENGINE/B&S Ref# 1 2 3 5 7 8 9 10 11 12 13 14 15 16 18 19 20 21 22 23 24 25 Part Number 497144 399268 299819 214040 272157 495774 27549 94621 66578 270080 270125 270126 94221 94679 94916 492088 94388 494044 495660 294606 66768 94980 94917 297229 222698 298904 298905 298906 298907 298982 299742 298983 298984 298985 26026 298909 298908 299430 390459 221890 94745 211119 261044 260552 26478 222443 93312 260642 212733 273113 497442 498144 263074 280399 396892 393152 94686 225176 Qty Description CYLINDER ASSEMBLY BUSHING, CYLINDER SEAL, OIL HEAD, CYLINDER GASKET, CYLINDER HEAD BREATHER ASSEMBLY GASKET, VALVE COVER SCREW, STEMS GROMMET, BREATHER TUBE GASKET CRANKCASE STANDARD .015" GASKET, CRANKCASE .005" THICK GASKET, CRANKCASE .009" THICK SCREW, CYLINDER HEAD 2-3/32" SCREW, CYLINDER HEAD 2-15/32" PLUG, PIPE, HEX SOCKET CRANKSHAFT TIMING GEAR KEY COVER ASSEMBLY, CRANKCASE BUSHING, CRANKCASE COVER SEAL, OIL PLUG, OIL FILLER SCREW, COVER MOUNTING STUD, CRANKCASE COVER FLYWHEEL, MAGNETO KEY, FLYWHEEL PISTON ASSEMBLY, STANDARD PISTON ASSEMBLY .010" OVERSIZE PISTON ASSEMBLY .

020" OVERSIZE PISTON ASSEMBLY .030" OVERSIZE RING SET, PISTON, STANDARD RING SET, PISTON, CHROME, STANDARD RING SET, PISTON .010" OVERSIZE RING SET, PISTON .020" OVERSIZE RING SET, PISTON .030" OVERSIZE LOCK, PISTON PIN PIN ASSY, PISTON, STD PIN ASSEMBLY, PISTON .

005" OVERSIZE ROD ASSEMBLY, CONNECTING ROD ASSEMBLY, CONNECTING DIPPER, CONNECTING ROD SCREW, CONNECTING ROD VALVE, EXHAUST VALVE, INTAKE SPRING, INTAKE VALVE SPRING, EXHAUST VALVE GUARD, FLYWHEEL RETAINER, VALVE SPRING TAPPET, VALVE GEAR, CAM GASKET, CARBURETOR MOUNTING HOUSING, REWIND STARTER PULLEY, REWIND STARTER SPRING, REWIND STARTER ROPE, REWIND STARTER (CUT TO 88-5/8) INSERT, HANDLE HANDLE, REWIND STARTER SCREW, HOUSING MOUNTING SCREEN, ROTATING Page 4 of 26 26 27 28 29 30 32 33 34 35 36 37 40 45 46 52 55 56 57 58 59 60 65 73 AYP3455A79 (1997) ENGINE/B&S Ref# 81 90 95 96 97 108 118 121 124 127 127A 149 152 154 162 163 180 181 190 190A 191 200 202 202A 203 205 208 209 216 219 220 222 227 230 256 257 300 304 305 306 307 308 332 333 334 337 346 356 358 363 373 383 392 394 414 432 433 434 Part Number 222263 495426 93499 223793 497600 497230 231533 495606 94913 220352 223789 26336 260575 93527 490589 271935 495405 494559 94924 94919 272489 223886 262280 262470 280720 231520 262279 262282 262359 494845 221551 490649 490374 94927 223813 93543 393615 495759 94619 224820 94680 224738 94877 397358 93414 802592 94896 398808 495603 19069 94908 89838 262328 272538 220982 221377 93265 213963 Page 5 of 26 Qty Description LOCK, SCREW CARBURETOR ASSEMBLY SCREW THROTTLE, CARBURETOR SHAFT & LEVER, THROTTLE VALVE & SHAFT GROUP, CHOKE VALVE, NEEDLE CARBURETOR OVERHAUL KIT SCREW, TORX HEX PLUG, WELCH PLUG, WELCH SPRING, NEEDLE VALVE SPRING, THROTTLE ADJUSTMENT SCREW, MACHINE, ROUND HEAD SCREW AND COLLAR GASKET, AIR CLEANER MOUNTING TANK ASSEMBLY, FUEL CAP, FUEL TANK SCREW, TORX SCREW, TORX GASKET, FUEL TANK TO CARBURETOR GUIDE, AIR LINK, GOVERNOR LINK, CONTROL BELL CRANK SCREW, SHOULDER ROD, SPEED CONTROL SPRING, GOVERNOR LINK, CHOKE GEAR, GOVERNOR WASHER THRUST PANEL, CONTROL LEVER ASSEMBLY, GOVERNOR WASHER, GOVERNOR LEVER CRANK, BELL SCREW, SEMS, HEX HEAD MUFFLER, EXHAUST HOUSING, BLOWER SCREW, SEMS, BLOWER, HOUSING MOUNTING SHIELD, CYLINDER SCREW, CYLINDER SHIELD COVER, CYLINDER HEAD NUT, FLYWHEEL ARMATURE GROUP SCREW, ARMATURE MOUNTING PLUG, SPARK SCREW, SEMS WIRE, GROUND GASKET SET PULLEY, FLYWHEEL NUT, HEX WRENCH SPARK PLUG SPRING, FUEL PUMP DIAPHRAGM DIAPHRAGM WASHER CAP, SPRING PIN, DIAPHRAGM COVER COVER, DIAPHRAGM AYP3455A79 (1997) ENGINE/B&S Ref# 435 455 456 459 467 526 827 528 529 535 536 552 562 592 608 611 613 614 616 621 623 634 635 676 679 680 689 741 851 869 870 871 916 966 967 968 969 974 987 1012 Part Number 93141 225121 281503 281505 280715 94914 223786 231550 67838 491435 494279 231079 94907 231978 497830 391813 93935 93306 495243 396847 94943 271853 66538 393757 270382 221839 263073 262992 493880 211787 211172 262001 63709 280321 492797 491588 495872 490073 94902 398970 490507 Qty Description SCREW, DIAPHRAGM CUP, STARTER RETAINER, STARTER PAWL, RATCHET KNOB, CONTROL SCREW, SEMS, TANK BRACKET MOUNT CLAMP BREATHER TUBE TUBE, BREATHER GROMMET, BREATHER TUBE FILTER, AIR AIR CLEANER KIT BUSHING, GOVERNOR CRANK BOLT, GOVENOR LEVEL NUT, HEX STARTER ASSEMBLY, REWIND FUEL PIPE AND CLIP ASSEMBLY SCREW, HEX HEAD COTTER, HAIR PIN CRANK, GOVERNOR SWITCH, STOP P/N CONFLICT - CHECK WITH SUPPLIER WASHER, THROTTLE SHAFT, FOAM ELBOW, SPARK PLUG DEFLECTOR, EXHAUST, SIDE OUTLET WASHER, FOAM WASHER, BRASS SPRING, RETAINER GEAR, TIMING TERMINAL, IGNITION CABLE SEAT, INTAKE VALVE, STANDARD SEAT, INTAKE VALVE, STANDARD GUIDE, EXHAUST VALVE GUIDE, INTAKE VALVE RACK, GEAR CONTROL BASE, AIR CLEANER SUB= 3364 COVER, AIR CLEANER SCREW, COVER MOUNTING SCREW, HEX HEAD SEAL, THROTTLE SHAFT RETAINER, LINK Page 6 of 26 AYP3455A79 (1997) ENGINE/B&S Page 7 of 26 AYP3455A79 (1997) ENGINE/B&S Ref# 1 2 3 5 7 8 9 10 11 12 13 14 15 16 18 19 20 21 22 23 24 25 Part Number 497144 399268 299819 214040 272157 495774 27549 94621 66578 270080 270125 270126 94221 94679 94916 492088 94388 494044 495660 294606 66768 94980 94917 297229 222698 298904 298905 298906 298907 298982 299742 298983 298984 298985 26026 298909 298908 299430 390459 221890 94745 211119 261044 260552 26478 222443 93312 260642 212733 273113 497442 498144 263074 280399 396892 393152 94686 225176 Qty Description CYLINDER ASSEMBLY BUSHING, CYLINDER SEAL, OIL HEAD, CYLINDER GASKET, CYLINDER HEAD BREATHER ASSEMBLY GASKET, VALVE COVER SCREW, STEMS GROMMET, BREATHER TUBE GASKET CRANKCASE STANDARD .015" GASKET, CRANKCASE .005" THICK GASKET, CRANKCASE .009" THICK SCREW, CYLINDER HEAD 2-3/32" SCREW, CYLINDER HEAD 2-15/32" PLUG, PIPE, HEX SOCKET CRANKSHAFT TIMING GEAR KEY COVER ASSEMBLY, CRANKCASE BUSHING, CRANKCASE COVER SEAL, OIL PLUG, OIL FILLER SCREW, COVER MOUNTING STUD, CRANKCASE COVER FLYWHEEL, MAGNETO KEY, FLYWHEEL PISTON ASSEMBLY, STANDARD PISTON ASSEMBLY .010" OVERSIZE PISTON ASSEMBLY .

020" OVERSIZE PISTON ASSEMBLY .030" OVERSIZE RING SET, PISTON, STANDARD RING SET, PISTON, CHROME, STANDARD RING SET, PISTON .010" OVERSIZE RING SET, PISTON .020" OVERSIZE RING SET, PISTON .030" OVERSIZE LOCK, PISTON PIN PIN ASSY, PISTON, STD PIN ASSEMBLY, PISTON .005" OVERSIZE ROD ASSEMBLY, CONNECTING ROD ASSEMBLY, CONNECTING DIPPER, CONNECTING ROD SCREW, CONNECTING ROD VALVE, EXHAUST VALVE, INTAKE SPRING, INTAKE VALVE SPRING, EXHAUST VALVE GUARD, FLYWHEEL RETAINER, VALVE SPRING TAPPET, VALVE GEAR, CAM GASKET, CARBURETOR MOUNTING HOUSING, REWIND STARTER PULLEY, REWIND STARTER SPRING, REWIND STARTER ROPE, REWIND STARTER (CUT TO 88-5/8) INSERT, HANDLE HANDLE, REWIND STARTER SCREW, HOUSING MOUNTING SCREEN, ROTATING Page 8 of 26 26 27 28 29 30 32 33 34 35 36 37 40 45 46 52 55 56 57 58 59 60 65 73 AYP3455A79 (1997) ENGINE/B&S Ref# 81 90 95 96 97 108 118 121 124 127 127A 149 152 154 162 163 180 181 190 190A 191 200 202 202A 203 205 208 209 216 219 220 222 227 230 256 257 300 304 305 306 307 308 332 333 334 337 346 356 358 363 373 383 392 394 414 432 433 434 Part Number 222263 495426 93499 223793 497600 497230 231533 495606 94913 220352 223789 26336 260575 93527 490589 271935 495405 494559 94924 94919 272489 223886 262280 262470 280720 231520 262279 262282 262359 494845 221551 490649 490374 94927 223813 93543 393615 495759 94619 224820 94680 224738 94877 397358 93414 802592 94896 398808 495603 19069 94908 89838 262328 272538 220982 221377 93265 213963 Page 9 of 26 Qty Description LOCK, SCREW

CARBURETOR ASSEMBLY SCREW THROTTLE, CARBURETOR SHAFT & LEVER, THROTTLE VALVE & SHAFT GROUP, CHOKE VALVE, NEEDLE CARBURETOR OVERHAUL KIT SCREW, TORX HEX PLUG, WELCH PLUG, WELCH SPRING, NEEDLE VALVE SPRING, THROTTLE ADJUSTMENT SCREW, MACHINE, ROUND HEAD SCREW AND COLLAR GASKET, AIR CLEANER MOUNTING TANK ASSEMBLY, FUEL CAP, FUEL TANK SCREW, TORX SCREW, TORX GASKET, FUEL TANK TO CARBURETOR GUIDE, AIR LINK, GOVERNOR LINK, CONTROL BELL CRANK SCREW, SHOULDER ROD, SPEED CONTROL SPRING, GOVERNOR LINK, CHOKE GEAR, GOVERNOR WASHER THRUST PANEL, CONTROL LEVER ASSEMBLY, GOVERNOR WASHER, GOVERNOR LEVER CRANK, BELL SCREW, SEMS, HEX HEAD MUFFLER, EXHAUST HOUSING, BLOWER SCREW, SEMS, BLOWER, HOUSING MOUNTING SHIELD, CYLINDER SCREW, CYLINDER SHIELD COVER, CYLINDER HEAD NUT, FLYWHEEL ARMATURE GROUP SCREW, ARMATURE MOUNTING PLUG, SPARK SCREW, SEMS WIRE, GROUND GASKET SET PULLEY, FLYWHEEL NUT, HEX WRENCH SPARK PLUG SPRING, FUEL PUMP DIAPHRAGM DIAPHRAGM WASHER CAP, SPRING PIN, DIAPHRAGM COVER COVER, DIAPHRAGM AYP3455A79 (1997) ENGINE/B&S Ref # 435 455 456 459 467 526 827 528 529 535 536 552 562 592 608 611 613 614 616 621 623 634 635 676 679 680 689 741 851 869 870 871 916 966 967 968 969 974 987 1012 Part Number 93141 225121 281503 281505 280715 94914 223786 231550 67838 491435 494279 231079 94907 231978 497830 391813 93935 93306 495243 396847 94943 271853 66538 393757 270382 221839 263073 262992 493880 211787 211172 262001 63709 280321 492797 491588 495872 490073 94902 398970 490507 Qty Description SCREW, DIAPHRAGM CUP, STARTER RETAINER, STARTER PAWL, RATCHET KNOB, CONTROL SCREW, SEMS, TANK BRACKET MOUNT CLAMP BREATHER TUBE TUBE, BREATHER GROMMET, BREATHER TUBE FILTER, AIR AIR CLEANER KIT BUSHING, GOVERNOR CRANK BOLT, GOVENOR LEVEL NUT, HEX STARTER ASSEMBLY, REWIND FUEL PIPE AND CLIP ASSEMBLY SCREW, HEX HEAD COTTER, HAIR PIN CRANK, GOVERNOR SWITCH, STOP P/N CONFLICT - CHECK WITH SUPPLIER WASHER, THROTTLE SHAFT, FOAM ELBOW, SPARK PLUG DEFLECTOR, EXHAUST, SIDE OUTLET WASHER, FOAM WASHER, BRASS SPRING, RETAINER GEAR, TIMING TERMINAL, IGNITION CABLE SEAT, INTAKE VALVE, STANDARD SEAT, INTAKE VALVE, STANDARD GUIDE, EXHAUST VALVE GUIDE, INTAKE VALVE RACK, GEAR CONTROL BASE, AIR CLEANER SUB= 3364 COVER, AIR CLEANER SCREW, COVER MOUNTING SCREW, HEX HEAD SEAL, THROTTLE SHAFT RETAINER, LINK Page 10 of 26 AYP3455A79 (1997) ENGINE/B&S Page 11 of 26 AYP3455A79 (1997) ENGINE/B&S Ref # 1 2 3 5 7 8 9 10 11 12 13 14 15 16 18 19 20 21 22 23 24 25 Part Number 497144 399268 299819 214040 272157 495774 27549 94621 66578 270080 270125 270126 94221 94679 94916 492088 94388 494044 495660 294606 66768 94980 94917 297229 222698 298904 298905 298906 298907 298982 299742 298983 298984 298985 26026 298909 298908 299430 390459 221890 94745 211119 261044 260552 26478 222443 93312 260642 212733 273113 497442 498144 263074 280399 396892 393152 94686 225176 Qty Description CYLINDER ASSEMBLY BUSHING, CYLINDER SEAL, OIL HEAD, CYLINDER GASKET, CYLINDER HEAD BREATHER ASSEMBLY GASKET, VALVE COVER SCREW, STEMS GROMMET, BREATHER TUBE GASKET CRANKCASE STANDARD .



[You're reading an excerpt. Click here to read official AYP AYP3455A79 user guide](#)
<http://yourpdfguides.com/dref/438140>

015" GASKET, CRANKCASE .005" THICK GASKET, CRANKCASE .009" THICK SCREW, CYLINDER HEAD 2-3/32" SCREW, CYLINDER HEAD 2-15/32" PLUG, PIPE, HEX SOCKET CRANKSHAFT TIMING GEAR KEY COVER ASSEMBLY, CRANKCASE BUSHING, CRANKCASE COVER SEAL, OIL PLUG, OIL FILLER SCREW, COVER MOUNTING STUD, CRANKCASE COVER FLYWHEEL, MAGNETO KEY, FLYWHEEL PISTON ASSEMBLY, STANDARD PISTON ASSEMBLY .010" OVERSIZE PISTON ASSEMBLY .

020" OVERSIZE PISTON ASSEMBLY .030" OVERSIZE RING SET, PISTON, STANDARD RING SET, PISTON, CHROME, STANDARD RING SET, PISTON .010" OVERSIZE RING SET, PISTON .020" OVERSIZE RING SET, PISTON .030" OVERSIZE LOCK, PISTON PIN PIN ASSY, PISTON, STD PIN ASSEMBLY, PISTON .005" OVERSIZE ROD ASSEMBLY, CONNECTING ROD ASSEMBLY, CONNECTING DIPPER, CONNECTING ROD SCREW, CONNECTING ROD VALVE, EXHAUST VALVE, INTAKE SPRING, INTAKE VALVE SPRING, EXHAUST VALVE GUARD, FLYWHEEL RETAINER, VALVE SPRING TAPPET, VALVE GEAR, CAM GASKET, CARBURETOR MOUNTING HOUSING, REWIND STARTER PULLEY, REWIND STARTER SPRING, REWIND STARTER ROPE, REWIND STARTER (CUT TO 88-5/8) INSERT, HANDLE HANDLE, REWIND STARTER SCREW, HOUSING MOUNTING SCREEN, ROTATING Page 12 of 26 26 27 28 29 30 32 33 34 35 36 37 40 45 46 52 55 56 57 58 59 60 65 73 AYP3455A79 (1997) ENGINE/B&S Ref# 81 90 95 96 97 108 118 121 124 127 127A 149 152 154 162 163 180 181 190 190A 191 200 202 202A 203 205 208 209 216 219 220 222 227 230 256 257 300 304 305 306 307 308 332 333 334 337 346 356 358 363 373 383 392 394 414 432 433 434 Part Number 222263 495426 93499 223793 497600 497230 231533 495606 94913 220352 223789 26336 260575 93527 490589 271935 495405 494559 94924 949t; LEVER ASM CRT BOLT PANEL TI SUB= 750097 CONDIUT CLIP T LOCKWASHER SUB= 50675 SET SCREW SPACER WASHER SHEAVE.TRANS. NUT.HEX.5/16-18 SUB= 2267J GUARD CRT SPACER.

SPLIT NUT TI TIRE TI RIM SUB= 65139 RIVET.DRILL.1.75 RETAINER M "GUARD, BELT" BELT-V PULLEY-IDLER TI KLIP RING SUB= 918105611X BOLT CRT SHIFT ARM CRT BOLT COUNTERWEIGHT CRT BOLT.HEX.

5/16-1.5 BRACKET LH CRT ENGINE PULLEY STUD.GUARD.BELT CAP PLUNGER BLACK WASHER SPACER LOCKNUT Page 18 of 26 AYP3455A79 (1997) MAINFRAME, RIGHT SIDE Page 19 of 26 AYP3455A79 (1997) MAINFRAME, RIGHT SIDE Ref# 1 2 3 4 5 6 7 8 9 10 Part Number 73510500 102332X 74760524 102173X 10040600 73220600 4497H 126875X 5015J 128952 795R Qty Description NUT BRACKET RH CRT BOLT.HEX.

5/16-1.5 COUNTERWEIGHT CRT LOCKWASHER NUT.HEX.3/8-16UNC RETAINER M RIVET.DRILL.1.75 TIRE TI RIM SUB= 65139 REFER TO IMAGE Page 20 of 26 AYP3455A79 (1997) TINE ASSEMBLY Page 21 of 26 AYP3455A79 (1997) TINE ASSEMBLY Ref# 1 2 3 4 5 6 7 8 9 10 11 Part Number 4459J 132673 6554J 3146R 132727 73610600 10040600 74610616 4460J 132728 6555J Qty Description SUB= 6554J PIN.CLEVIS.SHEAR "TINE.LH.

12" RETAINER.SPRING HUB&PLATE ASM LH SUB= 7810H LOCKWASHER BOLT SUB= 6555J HUB&PLATE ASM RH "TINE.RH.12" Page 22 of 26 AYP3455A79 (1997) TINE SHIELD Page 23 of 26 AYP3455A79 (1997) TINE SHIELD Ref# 1 2 3 4 5 6 7 8 9 10 11 12 13 14 15 16 18 19 20 21 22 23 24 25 26 27 28 29 30 Part Number 98000129 104086X505 8393J 12000036 72140506 8394J 8392J 109230X 124289X505 72140508 73220500 10040500 72110510 124311X 104101X505 73510400 72040410 102701X 73220600 102156X 74930632 4440J 72140404 6712J 109227X 102695X505 120588X 124309X505 73970500 Qty Description NUT SHIELD.SD.OUT.LH STAKE PIN TI KLIP RING TI BOLT SPRING TI LATCH BRACKET TI SPRING CRT TINE SHIELD BOLT NUT.HEX.5/16-18 LOCKWASHER BOLT "BRACKET,SHIELD" SHIELD.SD.

OUT.RH NUT BOLT GRIP CRT NUT.HEX.3/8-16UNC SUB= 102156X500 BOLT HINGE CRT BOLT VINYL CAP TI PAD IDLER TI LEVELING SHIELD PIN HINGE SIDE SHIELD LOCKNUT TI Page 24 of 26 AYP3455A79 (1997) TRANSMISSION Page 25 of 26 AYP3455A79 (1997) TRANSMISSION Ref# 1 2 3 4 5 6 7 8 9 10 11 12 13 14 15 16 18 19 20 21 22 23 24 25 27 28 29 30 31 32 33 34 35 36 37 38 39 40 41 42 43 44 48 49 50 51 52 53 Part Number 154354 150698 106211X 5020J 1370H 137335 145101 4895H 154467 7392M 100371K 106160X 142145 8353J 12000039 154466 4358J 12000040 102114X 102115X 6803J 102111X 10040700 73610700 143009 106360X 102134X 150737 143008 106388X 102121X 102112X 102101X 154355 4422J 154356 105345X 105346X 8358J 4220R 106146X 155236 150700 132688 106147X 17720408 73220500 122204X 6066J Qty Description SUB= 165805 GEARCASE LH W/BRG GASKET TI NEEDLE BRNG LT "T, BEARING" GEAR PINION INPUT "SHAFT.INPUT.

"D" "TI, BEARING" WASHER SEAL SUB= 100482K SPRING-SHIFT CRT O-RING TI BRACKET ASM SHIFT SHIFT FORK TI KLIP RING SHAFT.SHIFTER WASHER KLIP RING GEAR ASSY CRT GEAR-REV IDLR CRT NEEDLE BEARING TI SHAFT CRT LOCKWASHER NUT.ASF.HEX.7/16 BEARING.

SHAFT.LH. STRAP TORQUE LT CHAIN CRT GROUND SHAFT ASSY BEARING.SHAFT.RH. SPACER TI SPRCKT 8 GEAR CRT SHFT 2ND RED. .



[You're reading an excerpt. Click here to read official AYP](#)

[AYP3455A79 user guide](#)

<http://yourpdfguides.com/dref/438140>