



# Your PDF Guides

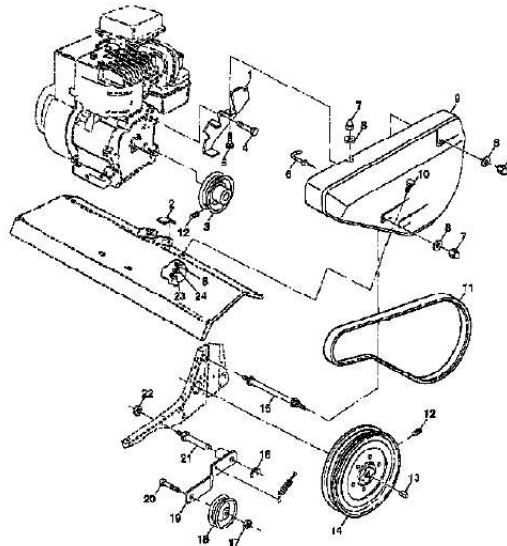
You can read the recommendations in the user guide, the technical guide or the installation guide for AYP AYP3352A59. You'll find the answers to all your questions on the AYP AYP3352A59 in the user manual (information, specifications, safety advice, size, accessories, etc.). Detailed instructions for use are in the User's Guide.

**User manual AYP AYP3352A59**  
**User guide AYP AYP3352A59**  
**Operating instructions AYP AYP3352A59**  
**Instructions for use AYP AYP3352A59**  
**Instruction manual AYP AYP3352A59**

AYP3352A59 (1995)  
BELT GUARD AND PULLEY

Page 1 of 24

## TILLER -- MODEL NUMBER AYP3352A59 BELT GUARD AND PULLEY ASSEMBLY



**NOTE:** All component dimensions given in U.S. inches  
1 inch = 25.4 mm



[You're reading an excerpt. Click here to read official AYP AYP3352A59 user guide](http://yourpdfguides.com/dref/438134)  
<http://yourpdfguides.com/dref/438134>

**Manual abstract:**

BELT.SLKSCR BOLT T V BELT STD SET SCREW KEY T TRANS SHEAVE RT BOLT TI KLIP RING TI NUT SUB= 75673 IDLER ARM TI SUB= 74780620 SHAFT IDLER TI JAM NUT TI SUB= 50675 LOCKWASHER Page 2 of 24 AYP3352A59 (1995) DECALS Page 3 of 24 AYP3352A59 (1995) DECALS Ref# 1 2 3 4 5 6 7 8 Part Number 146348 146356 127521 110594X 120431X 110593X 271948 120075X 145903 Qty Description DECAL.CNTRL.PNL.5 DECAL.GUARD.BELT.NLA DECAL TI DECAL TI SUB= 121858X DECAL, BRIGGS & STRATTON DECAL TI MANUAL.O.3352A59 Page 4 of 24 AYP3352A59 (1995) ENGINE/B&S Page 5 of 24 AYP3352A59 (1995) ENGINE/B&S Ref# 1 2 3 5 7 8 9 10 11 12 13 14 15 16 18 19 20 21 22 23 24 25 Part Number 395990 297565 299819 214040 272157 495774 27549 94621 66578 270080 270125 270126 94221 94679 93448 94387 492088 230978 297602 495660 294606 66768 94682 297229 222698 298904 298905 298906 298907 298982 299742 298983 298984 298985 26026 298909 298908 299430 390459 221890 94745 211119 261044 260552 26478 222443 93312 260642 212733 271936 494846 493824 262594 280406 396892 393152 94686 280973 Qty Description CYLINDER ASSEMBLY BUSHING, CYLINDER SEAL, OIL HEAD, CYLINDER GASKET, CYLINDER HEAD BREATHER ASSEMBLY GASKET, VALVE COVER SCREW, STEMS GROMMET, BREATHER TUBE GASKET CRANKCASE STANDARD . 015" GASKET, CRANKCASE .005" THICK GASKET, CRANKCASE .009" THICK SCREW, CYLINDER HEAD 2-3/32" SCREW, CYLINDER HEAD 2-15/32" PLUG, PIPE, HEX SOCKET PLUG OIL DRAIN CRANKSHAFT CRANKSHAFT GEAR PIN COVER ASSEMBLY, CRANKCASE BUSHING, CRANKCASE COVER SEAL, OIL PLUG, OIL FILLER SCREW FLYWHEEL, MAGNETO KEY, FLYWHEEL PISTON ASSEMBLY, STANDARD PISTON ASSEMBLY .010" OVERSIZE PISTON ASSEMBLY .020" OVERSIZE PISTON ASSEMBLY . 030" OVERSIZE RING SET, PISTON, STANDARD RING SET, PISTON, CHROME, STANDARD RING SET, PISTON .010" OVERSIZE RING SET, PISTON .020" OVERSIZE RING SET, PISTON .030" OVERSIZE LOCK, PISTON PIN PIN ASSY, PISTON, STD PIN ASSEMBLY, PISTON .005" OVERSIZE ROD ASSEMBLY, CONNECTING ROD ASSEMBLY, CONNECTING DIPPER, CONNECTING ROD SCREW, CONNECTING ROD VALVE, EXHAUST VALVE, INTAKE SPRING, INTAKE VALVE SPRING, EXHAUST VALVE GUARD, FLYWHEEL RETAINER, VALVE SPRING TAPPET, VALVE GEAR, CAM GASKET, INTAKE ELBOW MOUNTING HOUSING, REWIND STARTER PULLEY, REWIND STARTER SPRING, REWIND STARTER ROPE, REWIND STARTER INSERT, HANDLE HANDLE, REWIND STARTER SCREW, HOUSING MOUNTING WASHER Page 6 of 24 26 27 28 29 30 32 33 34 35 36 37 40 45 46 52 55 56 57 58 59 60 65 69 AYP3352A59 (1995) ENGINE/B&S Ref# 69A 73 81 90 95 96 97 108 118 121 124 127 127A 149 152 153 154 163 180 181 190 190A 191 200 202 203 204 205 208 209 216 219 220 222 223 224 227 230 256 257 300 304 305 306 308 332 333 334 337 346 356 358 363 373 383 392 Part Number 224322 224632 222263 495426 93499 223793 490048 491177 231533 495606 94616 220352 223789 26336 260575 490589 93527 271935 495405 494559 94712 94677 272489 223886 262270 280720 495603 495606 222962 231520 262279 262283 262359 494845 221551 490649 223455 93491 490374 222450 223813 93543 393615 495759 94619 221511 224738 92284 397358 93414 802592 93705 398808 495603 19069 92987 89838 262328 Page 7 of 24 Qty Description WASHER SCREEN, ROTATING LOCK, SCREW CARBURETOR ASSEMBLY SCREW THROTTLE, CARBURETOR SHAFT AND LEVER THROTTLE VALVE AND SHAFT GROUP, CHOKE VALVE, NEEDLE CARBURETOR OVERHAUL KIT SCREW, ELBOW MOUNTING PLUG, WELCH PLUG, WELCH SPRING, NEEDLE VALVE SPRING, THROTTLE ADJUSTMENT SCREW AND COLLAR SCREW, MACHINE, ROUND HEAD GASKET, AIR CLEANER MOUNTING TANK ASSEMBLY, FUEL CAP, FUEL TANK SCREW, FUEL TANK SCREW, FUEL TANK MOUNTING1-3/4" GASKET, FUEL TANK TO CARBURETOR GUIDE, AIR LINK, THROTTLE BELL CRANK GASKET SET CARBURETOR OVERHAUL KIT BUSHING, GOVERNOR LEVER, FLAT SCREW, SHOULDER ROD, SPEED CONTROL SPRING, GOVERNOR LINK, CHOKE GEAR, GOVERNOR WASHER THRUST PANEL, CONTROL LEVER, GOVERNOR CONTROL RIVET, GOVERNOR CONTROL LEVER MOUNTING LEVER ASSEMBLY, GOVERNOR WASHER, GOVERNOR LEVER CRANK, BELL SCREW, SEMS, HEX HEAD MUFFLER, EXHAUST HOUSING, BLOWER SCREW, SEMS, BLOWER, HOUSING MOUNTING SHIELD, CYLINDER COVER, CYLINDER HEAD NUT, FLYWHEEL ARMATURE GROUP SCREW, ARMATURE MOUNTING PLUG, SPARK SUB= 69485 WIRE, GROUND GASKET SET PULLEY, FLYWHEEL NUT, HEX WRENCH SPARK PLUG SPRING, FUEL PUMP DIAPHRAGM AYP3352A59 (1995) ENGINE/B&S Ref# 394 414 432 433 434 435 455 456 459 461 467 515 526 527 528 529 542 552 562 592 608 611 613 614 615 616 621 634 635 676 679 680 741 779 851 869 870 871 916 966 967 968 969 971 987 995 1012 1016 Part Number 272538 220982 221377 93265 214021 93141 224250 224321 492833 262626 280715 262625 94659 223786 231550 67838 93572 231079 92613 231082 495766 391813 93935 93306 93307 231077 396847 271853 66538 393757 270382 221839 261696 262570 221798 211787 211172 262001 63709 280321 492797 491588 495357 490073 94018 398970 223887 490507 224278 Qty Description DIAPHRAGM WASHER CAP, SPRING PIN, DIAPHRAGM COVER COVER, DIAPHRAGM SCREW, DIAPHRAGM CUP, STARTER RETAINER, REWIND STARTER PAWL, STARTER PIN, STARTER KNOB, CONTROL SPRING, TORSION SCREW,SEMS,TANK BRACKET MOUNT CLAMP BREATHER TUBE TUBE, BREATHER GROMMET, BREATHER TUBE SCREW BUSHING, GOVERNOR CRANK BOLT, GOVERNOR LEVER NUT, HEX STARTER ASSEMBLY, REWIND FUEL PIPE AND CLIP ASSEMBLY SCREW, HEX HEAD COTTER, HAIR PIN RETAINER, E-RING CRANK, GOVERNOR SWITCH, STOP WASHER, THROTTLE SHAFT, FOAM ELBOW, SPARK PLUG DEFLECTOR, EXHAUST, SIDE OUTLET WASHER, FOAM WASHER, BRASS GEAR, TIMING LINK, SPEED CONTROL TERMINAL, IGNITION CABLE SEAT, INTAKE VALVE, STANDARD SEAT, INTAKE VALVE, STANDARD GUIDE, EXHAUST VALVE GUIDE, INTAKE VALVE RACK, GEAR CONTROL BASE, AIR CLEANER SUB= 3364 COVER, AIR CLEANER SCREW, COVER MOUNTING SCREW, AIR CLEANER SEAL, THROTTLE SHAFT BRACKET, CONTROL LINK RETAINER, LINK COVER, REWIND STARTER Page 8 of 24 AYP3352A59 (1995) ENGINE/B&S Page 9 of 24 AYP3352A59 (1995) ENGINE/B&S Ref# 1 2 3 5 7 8 9 10 11 12 13 14 15 16 18 19 20 21 22 23 24 25 Part Number 395990 297565 299819 214040 272157 495774 27549 94621 66578 270080 270125 270126 94221 94679 93448 94387 492088 230978 297602 495660 294606 66768 94682 297229 222698 298904 298905 298906 298907 298982 299742 298983 298984 298985 26026 298909 298908 299430 390459 221890 94745 211119 261044 260552 26478 222443 93312 260642 212733 271936 494846 493824 262594 280406 396892 393152 94686 280973 Qty Description CYLINDER ASSEMBLY BUSHING, CYLINDER SEAL, OIL HEAD, CYLINDER GASKET, CYLINDER HEAD BREATHER ASSEMBLY GASKET, VALVE COVER SCREW, STEMS GROMMET, BREATHER TUBE GASKET CRANKCASE STANDARD . 015" GASKET, CRANKCASE .005" THICK GASKET, CRANKCASE .009" THICK SCREW, CYLINDER HEAD 2-3/32" SCREW, CYLINDER HEAD 2-15/32" PLUG, PIPE, HEX SOCKET PLUG OIL DRAIN CRANKSHAFT CRANKSHAFT GEAR PIN COVER ASSEMBLY, CRANKCASE BUSHING, CRANKCASE COVER SEAL, OIL PLUG, OIL FILLER SCREW FLYWHEEL, MAGNETO KEY, FLYWHEEL PISTON ASSEMBLY, STANDARD PISTON ASSEMBLY .010" OVERSIZE PISTON ASSEMBLY .020" OVERSIZE PISTON ASSEMBLY .



**[You're reading an excerpt. Click here to read official AYP AYP3352A59 user guide](http://yourpdfguides.com/dref/438134)**  
<http://yourpdfguides.com/dref/438134>

030" OVERSIZE RING SET, PISTON, STANDARD RING SET, PISTON, CHROME, STANDARD RING SET, PISTON .010" OVERSIZE RING SET, PISTON .020" OVERSIZE RING SET, PISTON .030" OVERSIZE LOCK, PISTON PIN PIN ASSY, PISTON, STD PIN ASSEMBLY, PISTON .005" OVERSIZE ROD ASSEMBLY, CONNECTING ROD ASSEMBLY, CONNECTING DIPPER, CONNECTING ROD SCREW, CONNECTING ROD VALVE, EXHAUST VALVE, INTAKE SPRING, INTAKE VALVE SPRING, EXHAUST VALVE GUARD, FLYWHEEL RETAINER, VALVE SPRING TAPPET, VALVE GEAR, CAM GASKET, INTAKE ELBOW MOUNTING HOUSING, REWIND STARTER PULLEY, REWIND STARTER SPRING, REWIND STARTER ROPE, REWIND STARTER INSERT, HANDLE HANDLE, REWIND STARTER SCREW, HOUSING MOUNTING WASHER Page 10 of 24 26 27 28 29 30 32 33 34 35 36 37 40 45 46 52 55 56 57 58 59 60 65 69 AYP3352A59 (1995) ENGINE/B&S Ref# 69A 73 81 90 95 96 97 108 118 121 124 127 127A 149 152 153 154 163 180 181 190 190A 191 200 202 203 204 205 208 209 216 219 220 222 223 224 227 230 256 257 300 304 305 306 308 332 333 334 337 346 356 358 363 373 383 392 Part Number 224322 224632 222263 495426 93499 223793 490048 491177 231533 495606 94616 220352 223789 26336 260575 490589 93527 271935 495405 494559 94712 94677 272489 223886 262270 280720 495603 495606 222962 231520 262279 262283 262359 494845 221551 490649 223455 93491 490374 222450 223813 93543 393615 495759 94619 221511 224738 92284 397358 93414 802592 93705 398808 495603 19069 92987 89838 262328 Page 11 of 24 Qty Description WASHER SCREEN, ROTATING LOCK, SCREW CARBURETOR ASSEMBLY SCREW THROTTLE, CARBURETOR SHAFT AND LEVER THROTTLE VALVE AND SHAFT GROUP, CHOKE VALVE, NEEDLE CARBURETOR OVERHAUL KIT SCREW, ELBOW MOUNTING PLUG, WELCH PLUG, WELCH SPRING, NEEDLE VALVE SPRING, THROTTLE ADJUSTMENT SCREW AND COLLAR SCREW, MACHINE, ROUND HEAD GASKET, AIR CLEANER MOUNTING TANK ASSEMBLY, FUEL CAP, FUEL TANK SCREW, FUEL TANK SCREW, FUEL TANK MOUNTING1-3/4" GASKET, FUEL TANK TO CARBURETOR GUIDE, AIR LINK, THROTTLE BELL CRANK GASKET SET CARBURETOR OVERHAUL KIT BUSHING, GOVERNOR LEVER, FLAT SCREW, SHOULDER ROD, SPEED CONTROL SPRING, GOVERNOR LINK, CHOKE GEAR, GOVERNOR WASHER THRUST PANEL, CONTROL LEVER, GOVERNOR CONTROL RIVET, GOVERNOR CONTROL LEVER MOUNTING LEVER ASSEMBLY, GOVERNOR WASHER, GOVERNOR LEVER CRANK, BELL SCREW, SEMS, HEX HEAD MUFFLER, EXHAUST HOUSING, BLOWER SCREW, SEMS, BLOWER, HOUSING MOUNTING SHIELD, CYLINDER COVER, CYLINDER HEAD NUT, FLYWHEEL ARMATURE GROUP SCREW, ARMATURE MOUNTING PLUG, SPARK SUB= 69485 WIRE, GROUND GASKET SET PULLEY, FLYWHEEL NUT, HEX WRENCH SPARK PLUG SPRING, FUEL PUMP DIAPHRAGM AYP3352A59 (1995) ENGINE/B&S Ref# 394 414 432 433 434 435 455 456 459 461 467 515 526 527 528 529 542 552 562 592 608 611 613 614 615 616 621 634 635 676 679 680 741 779 851 869 870 871 916 966 967 968 969 971 987 995 1012 1016 Part Number 272538 220982 221377 93265 214021 93141 224250 224321 492833 262626 280715 262625 94659 223786 231550 67838 93572 231079 92613 231082 495766 391813 93935 93306 93307 231077 396847 271853 66538 393757 270382 221839 261696 262570 221798 211787 211172 262001 63709 280321 492797 491588 495357 490073 94018 398970 223887 490507 224278 Qty Description DIAPHRAGM WASHER CAP, SPRING PIN, DIAPHRAGM COVER COVER, DIAPHRAGM SCREW, DIAPHRAGM CUP, STARTER RETAINER, REWIND STARTER PAWL, STARTER PIN, STARTER KNOB, CONTROL SPRING, TORSION SCREW,SEMS,TANK BRACKET MOUNT CLAMP BREATHER TUBE TUBE, BREATHER GROMMET, BREATHER TUBE SCREW BUSHING, GOVERNOR CRANK BOLT, GOVERNOR LEVER NUT, HEX STARTER ASSEMBLY, REWIND FUEL PIPE AND CLIP ASSEMBLY SCREW, HEX HEAD COTTER, HAIR PIN RETAINER, E-RING CRANK, GOVERNOR SWITCH, STOP WASHER, THROTTLE SHAFT, FOAM ELBOW, SPARK PLUG DEFLECTOR, EXHAUST, SIDE OUTLET WASHER, FOAM WASHER, BRASS GEAR, TIMING LINK, SPEED CONTROL TERMINAL, IGNITION CABLE SEAT, INTAKE VALVE, STANDARD SEAT, INTAKE VALVE, STANDARD GUIDE, EXHAUST VALVE GUIDE, INTAKE VALVE RACK, GEAR CONTROL BASE, AIR CLEANER SUB= 3364 COVER, AIR CLEANER SCREW, COVER MOUNTING SCREW, AIR CLEANER SEAL, THROTTLE SHAFT BRACKET, CONTROL LINK RETAINER, LINK COVER, REWIND STARTER Page 12 of 24 AYP3352A59 (1995) ENGINE/B&S Page 13 of 24 AYP3352A59 (1995) ENGINE/B&S Ref# 1 2 3 5 7 8 9 10 11 12 13 14 15 16 18 19 20 21 22 23 24 25 Part Number 395990 297565 299819 214040 272157 495774 27549 94621 66578 270080 270125 270126 94221 94679 93448 94387 492088 230978 297602 495660 294606 66768 94682 297229 222698 298904 298905 298906 298907 298982 299742 298983 298984 298985 26026 298909 298908 299430 390459 221890 94745 211119 261044 260552 26478 222443 93312 260642 212733 271936 494846 493824 262594 280406 396892 393152 94686 280973 Qty Description CYLINDER ASSEMBLY BUSHING, CYLINDER SEAL, OIL HEAD, CYLINDER GASKET, CYLINDER HEAD BREATHER ASSEMBLY GASKET, VALVE COVER SCREW, STEMS GROMMET, BREATHER TUBE GASKET CRANKCASE STANDARD .

015" GASKET, CRANKCASE .005" THICK GASKET, CRANKCASE .009" THICK SCREW, CYLINDER HEAD 2-3/32" SCREW, CYLINDER HEAD 2-15/32" PLUG, PIPE, HEX SOCKET PLUG OIL DRAIN CRANKSHAFT CRANKSHAFT GEAR PIN COVER ASSEMBLY, CRANKCASE BUSHING, CRANKCASE COVER SEAL, OIL PLUG, OIL FILLER SCREW FLYWHEEL, MAGNETO KEY, FLYWHEEL PISTON ASSEMBLY, STANDARD PISTON ASSEMBLY .010" OVERSIZE PISTON ASSEMBLY .020" OVERSIZE PISTON ASSEMBLY .030" OVERSIZE RING SET, PISTON, STANDARD RING SET, PISTON, CHROME, STANDARD RING SET, PISTON .010" OVERSIZE RING SET, PISTON .020" OVERSIZE RING SET, PISTON HANDLE Ref# 1 2 3 4 5 6 7 8 9 10 11 12 13 14 15 16 17 18 19 20 21 22 23 Part Number 137176X505 72140512 73680500 19111116 2621J500 140536 74760524 3069J 8206H 1685H 3067J 3070J 19121414 136376 471J 10040500 73220500 98000129 72140506 9209R505 72110508 2622J500 19131312 Qty Description HANDLE BRKT BOLT SUB= 73690500 WASHER SUB= 154127 GRIP NUB DOUBLE BOLT.HEX.5/16-1. 5 SUB= 164937 GRIP T SUB= 68478 SUB= 100382K SPRING EXT TI WASHER KNOB HANDLE BOLT CT LOCKWASHER NUT.HEX.5/16-18 NUT BOLT PANEL. @@SUB= 73690600 SUB= 77394 NUT Page 24 of 24 .



[You're reading an excerpt. Click here to read official AYP](#)

[AYP3352A59 user guide](#)

<http://yourpdfguides.com/dref/438134>