



Your PDF Guides

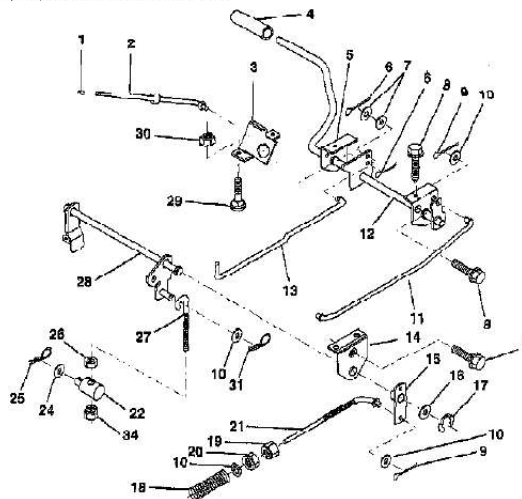
You can read the recommendations in the user guide, the technical guide or the installation guide for AYP AY12536A. You'll find the answers to all your questions on the AYP AY12536A in the user manual (information, specifications, safety advice, size, accessories, etc.). Detailed instructions for use are in the User's Guide.

User manual AYP AY12536A
User guide AYP AY12536A
Operating instructions AYP AY12536A
Instructions for use AYP AY12536A
Instruction manual AYP AY12536A

AY12536A (1999 & Before)
BRAKE/REAR MOWER LIFT

Page 1 of 35

TRACTOR -- MODEL NUMBER AY12536A BRAKE / REAR MOWER LIFT ASSEMBLY



NOTE: All component dimensions given in U.S. inches
1 inch = 25,4 mm.



[You're reading an excerpt. Click here to read official AYP AY12536A user guide](http://yourpdfguides.com/dref/437980)
<http://yourpdfguides.com/dref/437980>

Manual abstract:

ASM.DASH.LR HOSE CLAMP SUB= 295J FUEL LINE T NUT HXKEP 1/4X20 CLIP T WASHER PM BOLT WASHER SPACER SPLIT SPRING M "KNOB,HGT RETAINER" KNOB ADJUSTER QUAD NUT BOLT SUPT ASSY DASH CROSS BRACE SCREW.1/4-20X1/2 PLUG DOME Page 7 of 35 AY12536A (1999 & Before) DECALS Page 8 of 35 AY12536A (1999 & Before) DECALS Ref# Part Number 1 3 4 5 7 8 9 10 12 13 14 15 18 145545 152195 152196 136830 145498 145494 152197 141517 146451 152198 125690X 272633 145437 138311 152633 152277 CE36 MK36 Qty Description REFER TO IMAGE DECAL.OP.INST.SYM "DECAL,HOOD.RH" "DECAL,HOOD,LH" DECAL.V.BELT DECAL.

READ.O.MANU DECAL.DANGER.CUTF "DECAL,FENDER" DECAL DECK WIZ + DECAL.

BTRY.DANGER "DECAL,INSERT" DECAL DECAL, ENGINE DECAL.EURO.ST.CE.

@@SUB= 123888X LOCKNUT BRACKET LT SWITCH INTERLOCKT KEEPER.ACTUAT.LR. @@@@SRTG. BEAR. AXLE ASM FRONT WASHER .T SPINDLE ASM RH WASHER COTTER PIN WASHER BUSHING.DRAGLINK TIE ROD SPINDLE ASM LH BOLT HEX 5/8-11 "NUT-LOC,FLANGE LT" BEARING ZERK M WASHER Page 17 of 35 AY12536A (1999 & Before) GROUND DRIVE Page 18 of 35 AY12536A (1999 & Before) GROUND DRIVE Ref # 1 2 3 4 5 6 7 8 9 10 11 12 13 14 15 16 17 18 19 20 21 22 23 24 25 Part Number 73680500 74760512 141342 138029 10040700 71170744 124525X 123405X 72140612 123396X 150926 123674X 19131316 73930600 73680600 126471X 150932 131459 73510500 139919 19111016 123404X 140916 17720408 150935 Qty Description SUB= 73690500 BOLT KEEPER RH PULLEY.ENGINE.LR LOCKWASHER HEX BOLT BELT "KEEPER,DRIVE BELT" BOLT "KEEP,IDLER DR BEL" ARM-IDLER.

DR.GRND PULLEY.IDLER.FLAT WASHER LOCKNUT SUB= 73690600 "CLIP,INSULATOR" SPACER SUB= 532131459 NUT KEEPER.BELT.T/A WASHER "KEEPER,FRA DR BEL" KEEPER MOWER LH SCREW BUSHING.NYLON Page 19 of 35 AY12536A (1999 & Before) HOOD Page 20 of 35 AY12536A (1999 & Before) HOOD Ref# 1 2 3 4 5 6 7 8 9 10 11 12 13 14 18 19 Part Number 124657X 73640400 19091416 74780412 139888 122549X 122548X 17521312 73800400 123693X 132918X550 122035X 127029X 2751R 19111116 11030400 Qty Description EXT SPRING NUT HXKEP 1/4X20 WASHER SUB= 74780414 BOLT.SHLD.5/16-18 BRKT HOOD RH BRKT HOOD LH SCREW SLTD HXHD NUT "BRACE,HOOD" HOOD.IMPREG. MS550 LENS GRILL CLIP T WASHER LOCKWASHER GT Page 21 of 35 AY12536A (1999 & Before) MOWER DECK Page 22 of 35 AY12536A (1999 & Before) MOWER DECK Ref # 1 2 3 4 5 6 7 8 9 10 11 12 13 14 15 16 17 18 19 20 21 22 23 24 25 26 27 28 29 30 31 32 33 36 37 38 39 40 41 42 43 44 45 46 47 48 49 50 51 52 53 Part Number 140064 122052X 73680600 130840 131251 121316X 72110616 19131410 127744 72140610 130841 127356 72140506 73680500 127357 140609 128508 128511 127380 138496 140296 10030600 850857 140329 138776 129963 129983 129207 137266 136631 17490508 122051X 139083 121980X 123713X 105304X 19111016 110452X 131264 19171616 3146R 140608 110485X 128774 129895 137645 133943 71161010 136383 19070718 60867 130794 144973 Qty Description SPRING CLUTCH MWR SPACER RETAINER SUB= 73690600 BRAKE ASM IDLER BELT GUIDE PULLEY IDLER BOLT WASHER SUB= 140092 BOLT.3/8-14X1.25 BRAKE ROD "BRKT,LIFT REAR" BOLT SUB= 73690500 "BRKT,LIFT REAR LH" SUB= 153298 MOWER LINK STAB "PIN,GROOVE" "BRKT,LINK STABILI" "BLADE.36"" HIPERF" WASHER.HARD. BLADE SUB= 10040600 BLADE BOLT STRIPPER RND MWR SUB= 157722 WASHER SUB= 156600 SUB= 153531 SUB= 139729 SUB= 532136631 SCREW LT "SUPT,IDLER ARM" SHIELD.DEFL.36TUV HINGE ROD SPRING TORSION CAP-SLEEVE LT WASHER NUT PUSH M V-BELT.PRIM.78.



[You're reading an excerpt. Click here to read official AYP AY12536A user guide](http://yourpdfguides.com/dref/437980)
<http://yourpdfguides.com/dref/437980>