



# Your PDF Guides

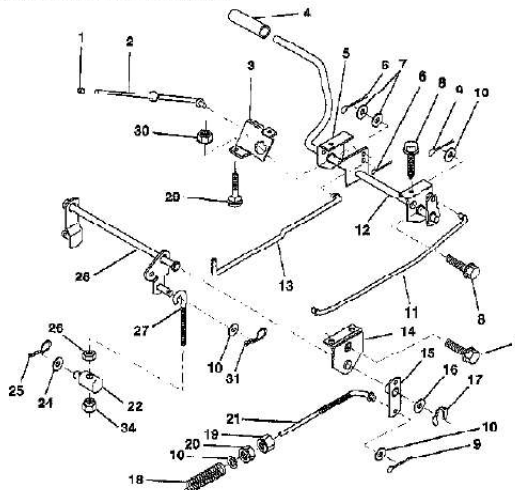
You can read the recommendations in the user guide, the technical guide or the installation guide for AYP AY1236A. You'll find the answers to all your questions on the AYP AY1236A in the user manual (information, specifications, safety advice, size, accessories, etc.). Detailed instructions for use are in the User's Guide.

User manual AYP AY1236A  
User guide AYP AY1236A  
Operating instructions AYP AY1236A  
Instructions for use AYP AY1236A  
Instruction manual AYP AY1236A

AY1236A (1999 & Before)  
BRAKE/REAR MOWER LIFT

Page 1 of 35

## TRACTOR -- MODEL NUMBER AY1236A BRAKE / REAR MOWER LIFT ASSEMBLY



NOTE: All component dimensions given in U.S. inches  
1 inch = 25.4 mm.



[You're reading an excerpt. Click here to read official AYP AY1236A user guide](http://yourpdfguides.com/dref/437976)

<http://yourpdfguides.com/dref/437976>

**Manual abstract:**

RETAINER LOCKNUT "LINK, MOWER REAR" LIFT ASM MOW REAR SUB= 72270506 NUT RETAINER.SPRING SUB= 73690600 Page 2 of 35 AY1236A (1999 & Before) DANA TRANSAXLE Page 3 of 35 AY1236A (1999 & Before) DANA TRANSAXLE Ref # 1 2 3 4 5 6 7 8 9 10 11 12 13 14 15 16 17 18 19 20 21 22 23 24 25 26 27 28 29 30 31 32 33 34 35 36 37 38 39 40 41 42 43 44 45 46 47 48 49 50 51 52 53 54 55 56 57 58 Part Number 142671 2274J 134400 105904X 105905X 138235 134399 120951X 143045 142672 134793 143051 120415X 142674 138234 110078X 105909X 105910X 105911X 142675 138246 138236 134791 142676 2244J 105916X 120470X 110070X 142677 120405X 108980X 120406X 134796 134797 105925X 2232J 108978X 110079X 124639X 120472X 105928X 110084X 134394 120473X 142678 120407X 106589X 120408X 105937X 105936X 2226J 134401 2264J 120474X 110081X 105941X 110071X 120952X Qty Description HOUSING UPPER TRN SUB= 74760412 SUB= 68003 "SPRING, DETENT LT" "SCREW, SET LT" KIT SHIFTER ASM SHIFTER BOOT PUCK T SEAL OIL DANA5416 SUB= 2225J ASM KIT SHIM 4689 SUB= 148268 WASHER T KEY WOODRUFF-DANA AS KIT INPUT SHFT PINION 14T T "RING,RETAINING LT" "CHAIN,24 PTCH LT" BEARING.FLNG.5510 GEAR SPUR 14 TTH COLLAR CLUTCH ASM KIT CLTCH KEY SCREW TAP WSEAL SHAFT INTERM DANA WOODRUFF KEY "RING,RETAINING LT" SPROCKET 18T T SPACER YT GEAR SPUR 37 TTH SUB= 124644X GEAR 25T LT GEAR SPUR 22 TT SPUR GEAR 19T SPACER "WASHER, PLAIN LT" WASHER 025 SPACER ASSM GEAR COMB SHAFT IDLER SPACER T SPROCKET 9T LT SUB= 167148 ASM KIT SHIM SHAFT T GEAR SPUR 12 TTH SUB= 124641X "GEAR, SPUR 25T LT" GEAR 28T T "GEAR, SPUR 31T LT" SPACER LT WASHER 060 NEOPRENE WASHER WASHER 031 SUB= 154658 GEAR 15T T "RING,RETAINING LT" SUB= 120478X SHAFT T Page 4 of 35 AY1236A (1999 & Before) DANA TRANSAXLE Ref # 59 60 61 62 63 64 65 66 67 68 69 70 71 72 73 Part Number 110082X 120475X 142680 120961X 7294J 108989X 120953X 120954X 134799 138244 108996X 120956X 73810500 106596X 120416X Qty Description GEAR 1ST T SUB= 154659 HOUSING LOWER TNS PUCK T BRAKE DISC. T SPACER LT SUB= 918120953X PIN T TAP SCREW SUB= 108992X WASHER LT NLA NUT.LOCK.5/16-24 "SCREW, TAPPING LT" SUB= 126976X Page 5 of 35 AY1236A (1999 & Before) DASH Page 6 of 35 AY1236A (1999 & Before) DASH Ref # 1 2 3 4 5 6 7 8 9 10 11 12 13 14 15 16 17 18 19 20 21 Part Number 141523 138392 123487X 8544R 8548R 73640400 2751R 19091216 74760428 19091413 121249X 3720R 126450X 126115X 122023X 124346X 72110404 130745 134744 17060408 134014 Qty Description CAP BLK FUEL LR TANK.ASM.DASH.LR HOSE CLAMP SUB= 295J FUEL LINE T NUT HXKEP 1/4X20 CLIP T WASHER PM BOLT WASHER SPACER SPLIT SPRING M "KNOB,HGT RETAINER" KNOB ADJUSTER QUAD NUT BOLT SUPT ASSY DASH CROSS BRACE SCREW. 1/4-20X1/2 PLUG DOME Page 7 of 35 AY1236A (1999 & Before) DECALS Page 8 of 35 AY1236A (1999 & Before) DECALS Ref # Part Number 1 2 3 4 5 7 8 9 10 12 13 14 15 18 145545 126860X 153230 153231 136830 145498 145494 152197 141517 146451 152198 125690X 271967 145437 138311 152633 153223 CE36 MK36 Qty Description REFER TO IMAGE DECAL.OP.INST.SYM "DECAL,LIGHT BOX" DECAL HOOD RH DECAL HOOD LH DECAL.V. BELT DECAL.READ.O.MANU DECAL.DANGER. CUTF "DECAL,FENDER" DECAL DECK WIZ + DECAL.BTRY.DANGER "DECAL,INSERT" DECAL DECAL, ENGINE DECAL.EURO.ST.CE. @@SUB= 123888X LOCKNUT BRACKET LT SWITCH INTERLOCKT KEEPER.ACTUAT.LR. @@@@@SRTG.

BEAR. @@WASHER RETAINER.SPRING KEEPER BELT LH BEARING HSG ASM MANDREL BEARING.BALL SUB= 137646 HARDENED WASHER SCREW GUARD.DFTR.MWR.36 NLA ACORN NUT RB MANDREL ASM DECK.36.LR Page 23 of 35 AY1236A (1999 & Before) MOWER LIFT LEVER Page 24 of 35 AY1236A (1999 & Before) MOWER LIFT LEVER Ref # 1 2 3 4 5 6 7 8 9 10 11 12 13 14 15 16 17 18 19 20 23 24 25 26 27 28 29 30 31 Part Number 126470X 122018X 71110408 73680600 145187 106451X 135371 74760636 121930X 76020412 19131316 131861 139352 123496X 19131212 4921H 127359 142028 73680400 74760644 76020416 19171612 121933X 141470 106932X 76020312 131655 73350600 19132012 Qty Description "CLIP,INSULATOR" BRKT CLUTCH BOLT HXHD FIN SUB= 73690600 LEVER.ASM. CLUTCH "BOLT, SHOULDER LT" MWR CLUTCH ARM AS BOLT "BELLCRANK,LIFT" COTTER PIN WASHER SUB= 532131861 HANDLE.ASM.LIFT SPRING COMPRESSIO WASHER T SPRING.RETAINER "LINK,LIFT FRT" TRUNION ADJ SUB= 73690400 BOLT PIN COTTER 1/8 WASHER GT TUBE SPACER ROD LIFT MOWER KNOB T(3/8 HOLE) SUB= 3145 CLUTCH LINK NUT WASHER Page 25 of 35 AY1236A (1999 & Before) SEAT Page 26 of 35 AY1236A (1999 & Before) SEAT Ref # 1 2 3 4 5 6 8 9 10 11 12 13 14 15 16 17 18 19 20 21 Part Number 72050411 127426X 140552 73800500 139888 145006 74760616 140551 126471X 19133210 73800600 74780814 10040800 19171912 127018X 121246X 123976X 121248X 121250X 134300 Qty Description SUB= 872050411 SUB= 140119 SUB= 155925 NUT BOLT.SHLD. 5/16-18 CLIP.PUSH-IN.HING BOLT BRACKET PVT SEAT "CLIP,INSULATOR" WASHER NUT BOLT LOCKWASHER WASHER "BOLT,SHOULDER" BRKT SWITCH SUB= 73900400 BUSHING SPRING SPLIT SPACER Page 27 of 35 AY1236A (1999 & Before) SECTOR GEAR/AXLE SUPPORT Page 28 of 35 AY1236A (1999 & Before) SECTOR GEAR/AXLE SUPPORT Ref # 1 2 3 4 5 6 7 8 9 10 11 12 13 14 15 16 Part Number 132566 74780828 73680500 73680600 121926X 121927X 73030800 126472X 73680800 76020412 19131316 126847X 74760512 19111416 72110606 137096 Qty Description DRAG LINK "BOLT,HEX" SUB= 73690500 SUB= 73690600 GEAR SECTOR BUSHING NUT CLIP INSULATOR NUT LTV COTTER PIN WASHER BUSHING.DRAGLINK BOLT WASHER BOLT SUPT AXLE FRONT Page 29 of 35 AY1236A (1999 & Before) STEERING WHEEL Page 30 of 35 AY1236A (1999 & Before) STEERING WHEEL Ref # 1 2 3 4 5 6 7 8 9 10 11 12 13 14 15 16 Part Number 133742 7810H 19133808 133741 121897X 17431008 102803X 147391 124210X 123438X 12000045 19211616 104820X 147392 74780520 73800500 Qty Description ST WHL INSERT CAP GRIPCO NUT WASHER T SUB= 150547 SLEEVE STEERING SUB= 98000165 SUB= 918102803X SHAFT.STEERING. LR STEERING CLIP BUSHING STEER LWR RING WASHER LT ADAPTER-WHEEL LT SUB= 154307 BOLT NUT Page 31 of 35 AY1236A (1999 & Before) TRANSAXLE Page 32 of 35 AY1236A (1999 & Before) TRANSAXLE Ref # 1 2 3 4 5 6 7 8 9 10 11 12 15 16 17 18 19 20 21 22 23 24 25 26 28 29 31 33 35 36 Part Number 123385X 12000028 142602 2228M 73680500 72140506 123378X 17490512 146682 121749X 123583X 74760644 19171616 124600X 123632X 74550412 10040400 19091210 123484X 105701X 106933X 128215 76020416 73810500 128085 128084 109502X 73680600 12000001 17720408 Qty Description PULLEY SUB= 2267J SUB= 160851 SUB= 2228M1 SUB= 73690500 BOLT "STRAP,TORQUE" SCREW SPRING.BRAKE.RETU WASHER SQUARE KEY BOLT WASHER "SUPT,HDLE SHT LH" "LINK,SHIFT" BOLT.1/4-28.W/PAT LOCKWASHER WASHER .



[You're reading an excerpt. Click here to read official AYP AY1236A user guide](http://yourpdfguides.com/dref/437976)  
<http://yourpdfguides.com/dref/437976>