



# Your PDF Guides

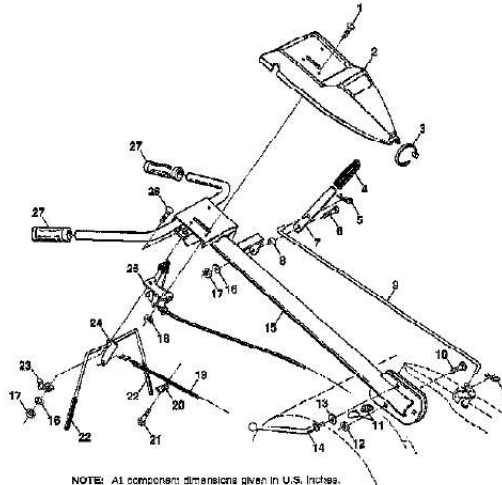
You can read the recommendations in the user guide, the technical guide or the installation guide for AYP 95220. You'll find the answers to all your questions on the AYP 95220 in the user manual (information, specifications, safety advice, size, accessories, etc.). Detailed instructions for use are in the User's Guide.

**User manual AYP 95220**  
**User guide AYP 95220**  
**Operating instructions AYP 95220**  
**Instructions for use AYP 95220**  
**Instruction manual AYP 95220**

95220 (1999 & Before)  
HANDLE

Page 1 of 14

**TILLEX - - MODEL NUMBER 95220 (952205)**  
**HANDLE ASSEMBLY**



**NOTE:** All component dimensions given in U.S. inches.  
1 inch = 25.4 mm



[You're reading an excerpt. Click here to read official AYP 95220 user guide](#)

<http://yourpdfguides.com/dref/437820>

*Manual abstract:*

PNHD.10-24 "PANEL,CONT TI" TIE CABLE CRT GRIP T RETAINER M SHOULDER BOLT ST SHIFT HANDLE CRT GROMMET CRT SHIFT ROD CRT BOLT D LOCK CRT LOCKNUT WASHER CRT LEVER LOCK CRT SUB= 155117 LOCKWASHER SUB= 50675 NUT CABLE.CLUTCH.48.Z CONDIUT CLIP T SUB= 750097 GRIP BAR CRT SUB= 102744X431 "ASSY CONTROL, BAR" "CONT,THROTTLE" BOLT GRIP NUB SNGL HDL Page 2 of 14 95220 (1999 & Before) TILLER-DECALS Page 3 of 14 95220 (1999 & Before) TILLER-DECALS Ref# Part Number 1 2 3 4 5 6 7 8 9 138535 138539 124171X 136943 120431X 102180X 110593X 271948 120075X 149515 Qty Description REFER TO IMAGE DECAL.PNL.CONTROL DECAL.LOGO. NLA DECAL.INSTRUCTION DECAL TI DECAL CRT SUB= 121858X DECAL, BRIGGS & STRATTON DECAL TI MANUAL. O.952205.E Page 4 of 14 95220 (1999 & Before) TILLER-MAINFRAME Page 5 of 14 95220 (1999 & Before) TILLER-MAINFRAME Ref# 1 2 3 4 5 6 7 8 9 10 11 12 13 14 15 16 17 19 20 21 22 23 23 23 24 25 26 27 28 29 30 31 32 33 34 35 36 37 38 39 41 Part Number 73510500 10040600 73220600 74930568 1572H 110111X 72110404 8700J 86777 9484R 10040400 73220400 23230506 120938X 19111116 145102 73220500 12000028 110653X 145216 104214X 102190X 109208X 795R 126875X 4497H 131159X505 132672 104679X 12000032 105611X 102384X 102141X 74760616 102383X 74760524 102331X 130816 145822 140062 19111610 Qty Description NUT LOCKWASHER NUT.HEX.3/8-16UNC BOLT TI SUB= 2882J LEVER ASM CRT BOLT PANEL TI SUB= 750097 CONDIUT CLIP T LOCKWASHER SUB= 50675 SET SCREW SPACER WASHER SHEAVE. TRANS. @@@@BUSHING TI CHAIN CRT SUB= 150737 BEARING.SHAFT.RH. SPACER TI SPRCKT 8 GEAR CRT SHFT 2ND RED. CRT SCRW WHIZ LOK CRT SPROCKET ASM. @@.



[You're reading an excerpt. Click here to read official AYP 95220 user guide](http://yourpdfguides.com/dref/437820)

<http://yourpdfguides.com/dref/437820>