



# Your PDF Guides

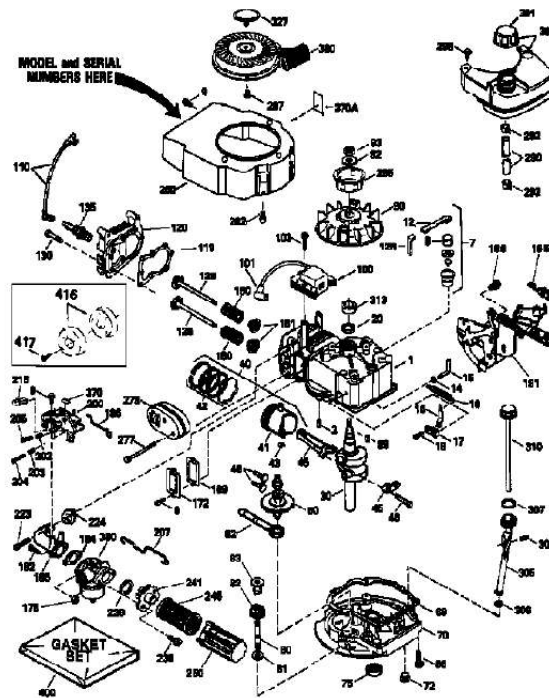
You can read the recommendations in the user guide, the technical guide or the installation guide for AYP 917.382750. You'll find the answers to all your questions on the AYP 917.382750 in the user manual (information, specifications, safety advice, size, accessories, etc.). Detailed instructions for use are in the User's Guide.

**User manual AYP 917.382750**  
**User guide AYP 917.382750**  
**Operating instructions AYP 917.382750**  
**Instructions for use AYP 917.382750**  
**Instruction manual AYP 917.382750**

917.382750 (1999 & Before)  
Craftsman Engine 143.955010

Page 1 of 6

## CRAFTSMAN 4-CYCLE ENGINE MODEL NUMBER 143.955010



[You're reading an excerpt. Click here to read official AYP 917.382750 user guide](#)

<http://yourpdfguides.com/dref/437791>

