



Your PDF Guides

You can read the recommendations in the user guide, the technical guide or the installation guide for AYP 5056-14. You'll find the answers to all your questions on the AYP 5056-14 in the user manual (information, specifications, safety advice, size, accessories, etc.). Detailed instructions for use are in the User's Guide.

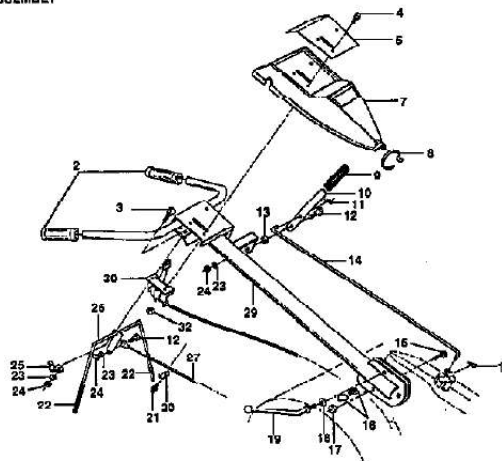
User manual AYP 5056-14
User guide AYP 5056-14
Operating instructions AYP 5056-14
Instructions for use AYP 5056-14
Instruction manual AYP 5056-14

5056-14 (1999 & Before)
HANDLE ASSEMBLY

Page 1 of 12

5 H.P. 17" CRT TILLER - MODEL NUMBER 5056-14

HANDLE ASSEMBLY



[You're reading an excerpt. Click here to read official AYP 5056-14 user guide](http://yourpdfguides.com/dref/437629)
<http://yourpdfguides.com/dref/437629>

