



# Your PDF Guides

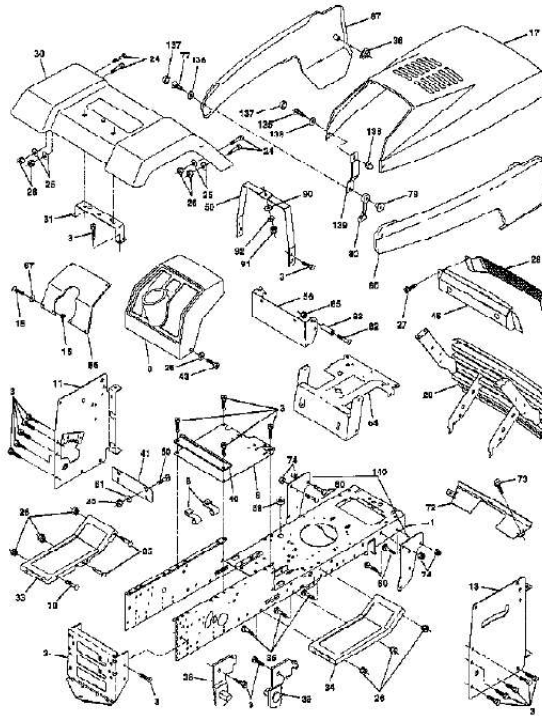
You can read the recommendations in the user guide, the technical guide or the installation guide for AYP 3420-64. You'll find the answers to all your questions on the AYP 3420-64 in the user manual (information, specifications, safety advice, size, accessories, etc.). Detailed instructions for use are in the User's Guide.

**User manual AYP 3420-64**  
**User guide AYP 3420-64**  
**Operating instructions AYP 3420-64**  
**Instructions for use AYP 3420-64**  
**Instruction manual AYP 3420-64**

3420-64 (1996)  
CHASSIS AND ENCLOSURES

Page 1 of 27

## TRACTOR - - MODEL NUMBER 3420-64 CHASSIS AND ENCLOSURES



[You're reading an excerpt. Click here to read official AYP 3420-64 user guide](http://yourpdfguides.com/dref/437484)

<http://yourpdfguides.com/dref/437484>

**Manual abstract:**

PNT. BOLT WASHER NUT SUB= 91817030814 GRILLE ASM PNT PANEL.DASH.RH FENDER LT W/SHI BRACKET SUPT FEND FOOTREST.LH.LT/GT FOOTREST.RH.LT/GT BOLT PAL NUT LT BRACKET ASM LH BRACKET ASM RH SPACER FENDER LT PLATE EXTEN FEND SCREW GTV BEZEL.ASM. DASH.

SUPT.YP/HUSQ SUB= 9151R EXT DASH LTYT BOLT WASHER DASH.LOWER.LT PLATE.SILKSCREEN WASHER STRAP PNT GRILL SCREW CRT SUB= 73690600 SCREW WELDNUT HOOD LATCH T SCREW SPACER LT NUT PANEL. SIDE.RH PANEL.SIDE.LH WASHER PM SUB= 50675 LOCKWASHER SCREW.10-24X3/8.

ACORN NUT RB SNAP CAP LT WASHER LT BKT.SPT.HOOD/PANL SUB= 158739 Page 2 of 27 3420-64 (1996) DANA TRANSAXLE Page 3 of 27 3420-64 (1996) DANA TRANSAXLE Ref# 1 2 3 4 5 6 7 8 9 10 11 12 13 14 15 16 17 18 19 20 21 22 23 24 25 26 27 28 29 30 31 32 33 34 35 36 37 38 39 40 41 42 43 44 45 46 47 48 49 50 51 52 53 54 55 56 57 58 Part Number 132671 2274J 134400 105904X 105905X 138235 134399 120951X 148266 2225J 134793 143679 120415X 142674 106846X 106095X 105909X 105910X 105911X 142675 148267 138237 148268 142676 2244J 105916X 120470X 110070X 142677 142681 124644X 108980X 120406X 134796 105925X 2232J 108978X 110079X 124639X 120472X 105928X 106605X 134394 120473X 106596X 142678 120407X 106589X 120408X 105937X 2226J 134401 2264J 120474X 110081X 105941X 110071X 120952X Qty Description HARNESS.IGNITION SUB= 74760412 SUB= 68003 "SPRING, DETENT LT" "SCREW, SET LT" KIT SHIFTER ASM SHIFTER BOOT PUCK T SUB= 105911X RETAINING RING LT ASM KIT SHIM 4689 PLUG.PLASTIC WASHER T KEY WOODRUFF-DANA SUB= 167148 SUB= 95-8060-6F "RING,RETAINING LT" "CHAIN,24 PTCH LT" BEARING.FLNG.5510 GEAR SPUR 14 TTH CLUTCH.COL.5467 KIT.ASM.

CLUTCH KY BEARING.FLNG.5511 SHAFT INTERM DANA WOODRUFF KEY "RING,RETAINING LT" SPROCKET 18T T SPACER YT GEAR SPUR 37 TTH GEAR SPUR 35 TTH GEAR SPUR 30T GEAR 25T LT GEAR SPUR 22 TT SPUR GEAR 19T "WASHER, PLAIN LT" WASHER 025 SPACER ASSM GEAR COMB SHAFT IDLER SPACER T SPROCKET 9T LT SUB= 167148 ASM KIT SHIM SHAFT T "SCREW, TAPPING LT" GEAR SPUR 12 TTH SUB= 124641X "GEAR, SPUR 25T LT" GEAR 28T T "GEAR, SPUR 31T LT" WASHER 060 NEOPRENE WASHER WASHER 031 SUB= 154658 GEAR 15T T "RING,RETAINING LT" SUB= 120478X SHAFT T Page 4 of 27 3420-64 (1996) DANA TRANSAXLE Ref# 59 60 61 62 63 64 65 66 67 68 69 70 71 72 73 Part Number 110082X 120475X 142680 120961X 7294J 108989X 120953X 120954X 134799 138244 108996X 120956X 73810500 148269 120416X Qty Description GEAR 1ST T SUB= 154659 HOUSING LOWER TNS PUCK T BRAKE DISC. @@@@ MANDREL ASM SUB= 164962 Page 17 of 27 3420-64 (1996) MOWER LIFT Page 18 of 27 3420-64 (1996) MOWER LIFT Ref# 1 2 3 4 5 6 7 8 9 10 11 12 13 14 15 16 17 18 19 20 21 22 23 24 25 26 27 28 29 30 31 32 49 Part Number 136973 150588 138284 12000002 19211621 120183X 109413X 124526X 122512X 139865 139866 4939M 127218 73350800 130171 73800800 139868 3146R 110807X 19131016 137150 76020308 137167 73350600 138057 150233 140302 73540600 145212 Qty Description WIRE ASM SHAFT.ASM.LIFT PIN GROOVE SUB= 2225J WASHER NYLON BEARING GRIP SUB= 125925X SUB= 532122512 SUB= 918139865 SUB= 151140 SUB= 85902 LINK.FRONT NUT TRUNION NUT.LK.W/WSH.1/2.

@@BOLT HXHD FIN SUB= 154336 SUB= 146154 NUT HXKEP 1/4X20 SUB= 122822X WASHER PINNED PROTECTION LOOP SCREW LT HARNESS ENG DUAL Page 21 of 27 3420-64 (1996) SEAT Page 22 of 27 3420-64 (1996) SEAT Ref# 1 2 3 4 5 6 7 8 9 10 11 12 13 14 15 16 17 21 22 24 25 Part Number 127429X 140551 74760616 19131610 145006 73800600 124181X 17490616 19131614 140552 120068X 121246X 121248X 72050411 121249X 123740X 123976X 153236 73680500 19171912 127018X Qty Description SUB= 140121 BRACKET PVT SEAT BOLT WASHER PM CLIP.PUSH-IN.HING NUT SPRING COMPRESSIO SCREW GTV WASHER SUB= 155925 "KNOB 1/2"" YT" BRKT SWITCH BU.



[You're reading an excerpt. Click here to read official AYP 3420-64 user guide](http://yourpdfguides.com/dref/437484)

<http://yourpdfguides.com/dref/437484>